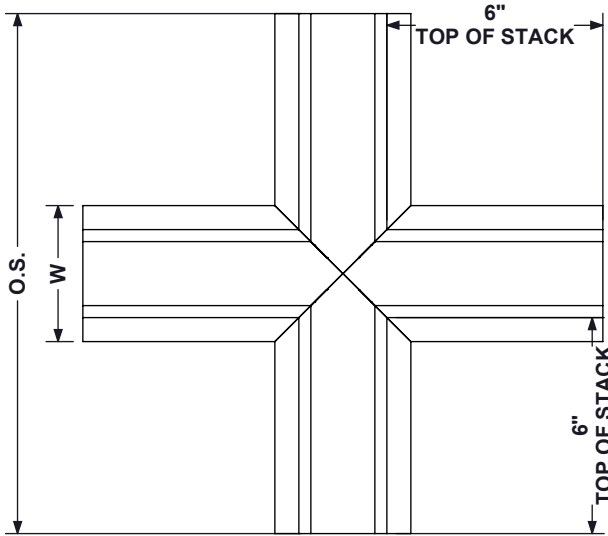
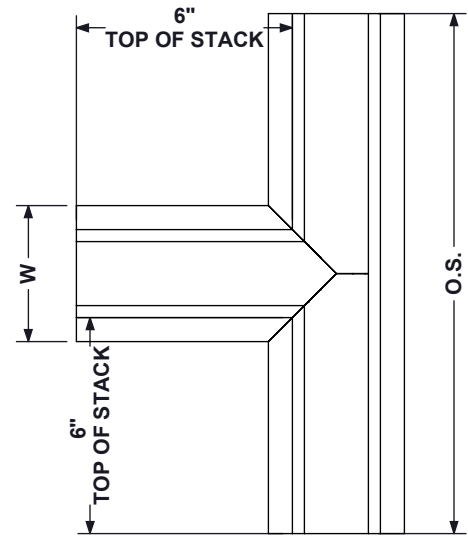


DFC / DFT
DESIGNFLO™ CROSS AND 'T' TRANSITION
SUBMITTAL SHEET

U.S.PATENT #6,220,958

 DFC
 CROSS TRANSITION

 DFT
 'T' TRANSITION

FACE VIEW

FACE VIEW
DFC/DFT NOTES:

- STANDARD FACE FINISH IS #44 WHITE WITH FLAT BLACK INTERIOR
- TRANSITIONS ARE INACTIVE WITH BLANK OFFS INSTALLED AT FACTORY
- TRANSITIONS ARE OFFERED FOR ONE SLOT UNITS ONLY
- SEE FORM GC0100 FOR ADDITIONAL 1 SLOT DESIGNFLO DETAILS
- SEE FORM GC0107 FOR ADDITIONAL MOUNTING OPTION DETAILS

DFC			FRAME STYLES							
			<input type="checkbox"/> AA		<input type="checkbox"/> BB		<input type="checkbox"/> CC		<input type="checkbox"/> FF	
	MODEL	SLOT WIDTH	W	O.S.	W	O.S.	W	O.S.	W	O.S.
ONE SLOT	<input type="checkbox"/> DFC10	1 (25)	2 3/4 (70)	14 3/4 (375)	4 1/4 (108)	16 1/4 (413)	3 1/8 (79)	15 1/8 (384)	3 3/4 (95)	15 3/4 (400)
	<input type="checkbox"/> DFC15	1 1/2 (38)	3 3/4 (95)	15 3/4 (400)	5 1/4 (133)	17 1/4 (438)	4 1/8 (105)	16 1/8 (410)	4 3/4 (121)	16 3/4 (425)
	<input type="checkbox"/> DFC20	2 (51)	4 3/4 (121)	16 3/4 (425)	6 1/4 (159)	18 1/4 (464)	5 1/8 (130)	17 1/8 (435)	5 3/4 (146)	17 3/4 (451)
	<input type="checkbox"/> DFC25	2 1/2 (64)	5 3/4 (146)	17 3/4 (451)	6 3/4 (171)	18 3/4 (476)	6 1/8 (156)	18 1/8 (460)	6 3/4 (171)	18 3/4 (476)
	<input type="checkbox"/> DFC30	3 (76)	6 3/4 (171)	18 3/4 (476)	7 3/4 (197)	19 3/4 (502)	7 1/8 (181)	19 1/8 (485)	7 3/4 (197)	19 3/4 (502)

DFT			FRAME STYLES							
			<input type="checkbox"/> AA		<input type="checkbox"/> BB		<input type="checkbox"/> CC		<input type="checkbox"/> FF	
	MODEL	SLOT WIDTH	W	O.S.	W	O.S.	W	O.S.	W	O.S.
ONE SLOT	<input type="checkbox"/> DFT10	1 (25)	2 3/4 (70)	14 3/4 (375)	4 1/4 (108)	16 1/4 (413)	3 1/8 (79)	15 1/8 (384)	3 3/4 (95)	15 3/4 (400)
	<input type="checkbox"/> DFT15	1 1/2 (38)	3 3/4 (95)	15 3/4 (400)	5 1/4 (133)	17 1/4 (438)	4 1/8 (105)	16 1/8 (410)	4 3/4 (121)	16 3/4 (425)
	<input type="checkbox"/> DFT20	2 (51)	4 3/4 (121)	16 3/4 (425)	6 1/4 (159)	18 1/4 (464)	5 1/8 (130)	17 1/8 (435)	5 3/4 (146)	17 3/4 (451)
	<input type="checkbox"/> DFT25	2 1/2 (64)	5 3/4 (146)	17 3/4 (451)	6 3/4 (171)	18 3/4 (476)	6 1/8 (156)	18 1/8 (460)	6 3/4 (171)	18 3/4 (476)
	<input type="checkbox"/> DFT30	3 (76)	6 3/4 (171)	18 3/4 (476)	7 3/4 (197)	19 3/4 (502)	7 1/8 (181)	19 1/8 (456)	7 3/4 (197)	19 3/4 (502)

DIMENSIONS ARE GIVEN AS INCHES (MM)

Revision Date: 1/18/2024	Form: GC0104.8	Replaces: GC0104.7
---------------------------------	-----------------------	---------------------------

Product Information is Subject to Change Without Notice