

1500/1600 SERIES LINEAR BAR GRILLE

CEILING / SIDE WALL / SILL APPLICATION
 FRAMES / SUBFRAMES AE, BE, CE, DS & RG

SUBMITTAL SHEET

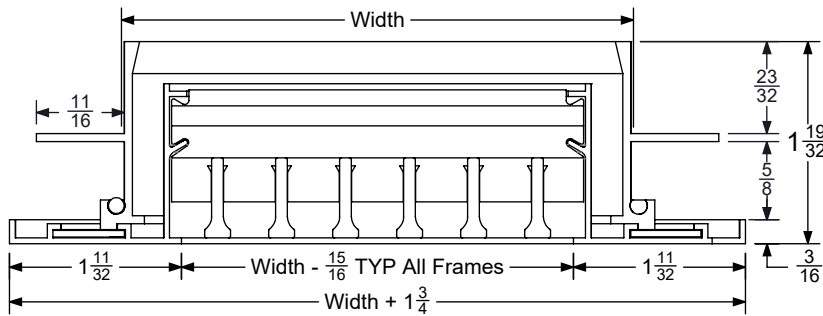
NOTES:

1. Widths run from 2" to 24" in 1/4" Increments.
2. The Minimum Length is 6". The Maximum Length of One Section is 6'-0" Overall. Sections can be Spliced together with Alignment Tabs & Pins, See Form GS0310
3. Width = Ordered Width = _____
4. Length = Ordered Length = _____
5. Units May be Used for Either Supply or Return Applications.
6. Construction is Extruded Aluminum with Steel Fasteners.
7. Standard Finish is 44 British White.

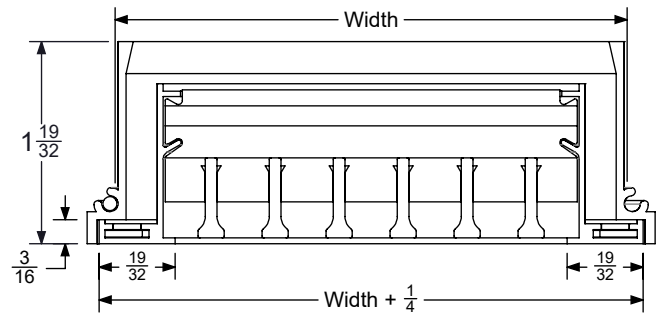
OPTIONAL ACCESSORIES:

- See Form GS0311 For
- Dampers
 - Linear Straightening Grid
 - Blank-Off Strips

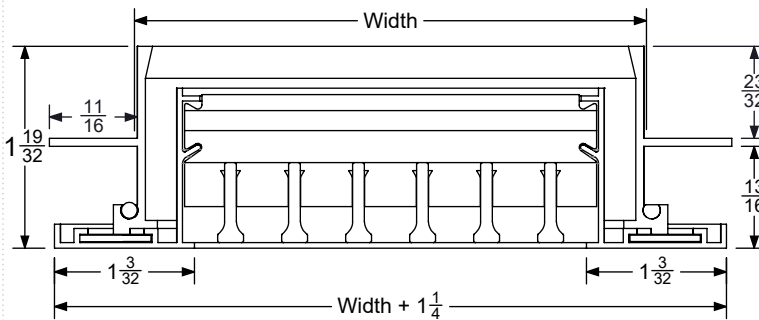
- See Form GS0304 For:
- Mitered Corners.



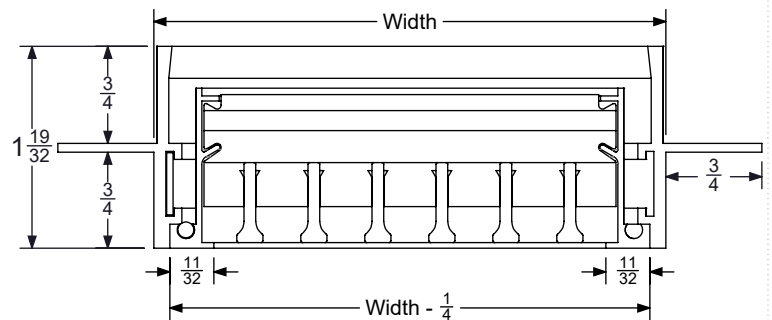
□ **Frame AE**



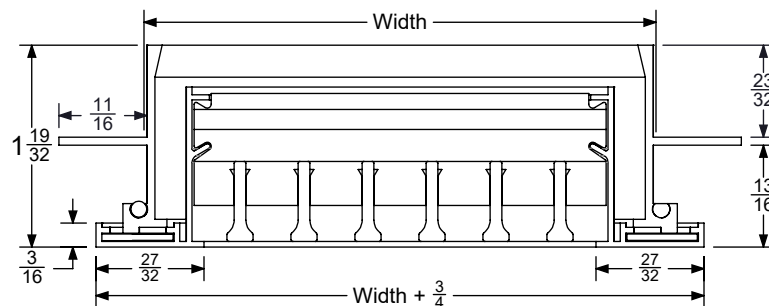
□ **Frame DS**



□ **Frame BE**



□ **Frame RG**



□ **Frame CE**

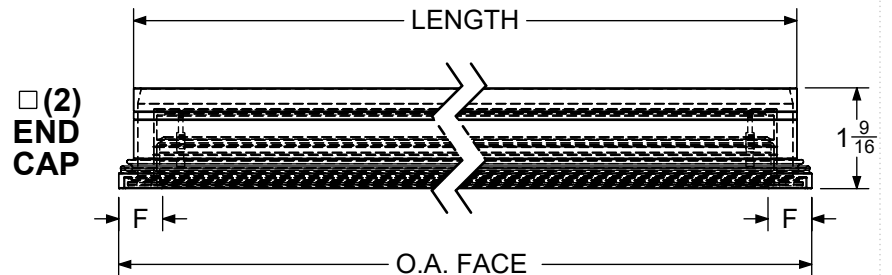
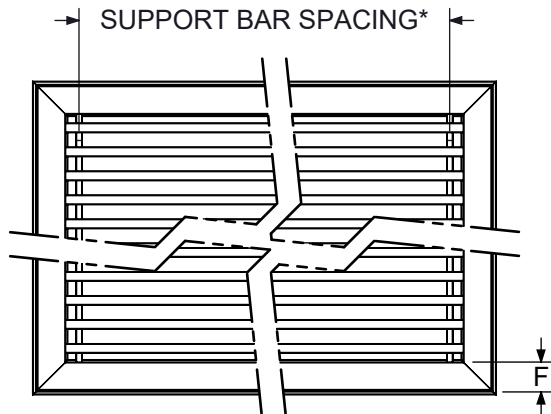
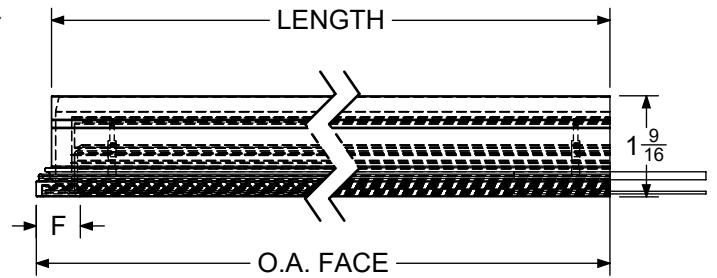
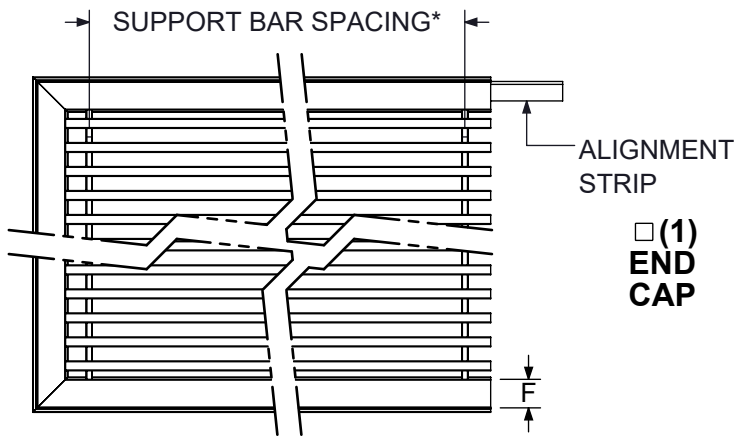
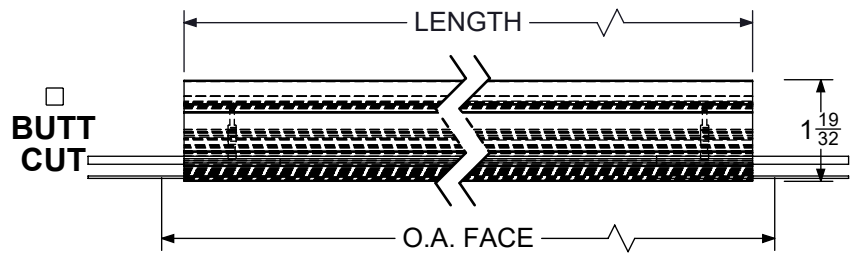
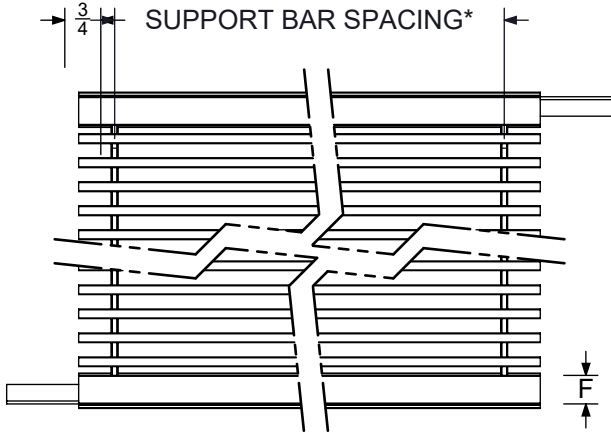
1500/1600 SERIES LINEAR BAR GRILLE CEILING / SIDE WALL / SILL APPLICATION FRAMES / SUBFRAMES AE, BE, CE, DS & RG

SUBMITTAL SHEET

NOTES:

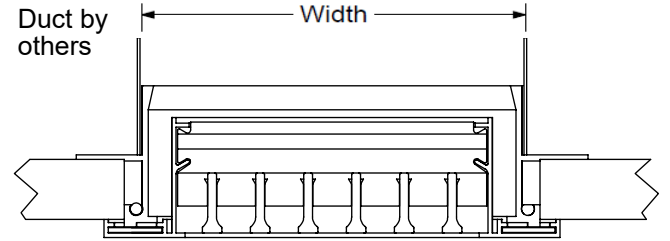
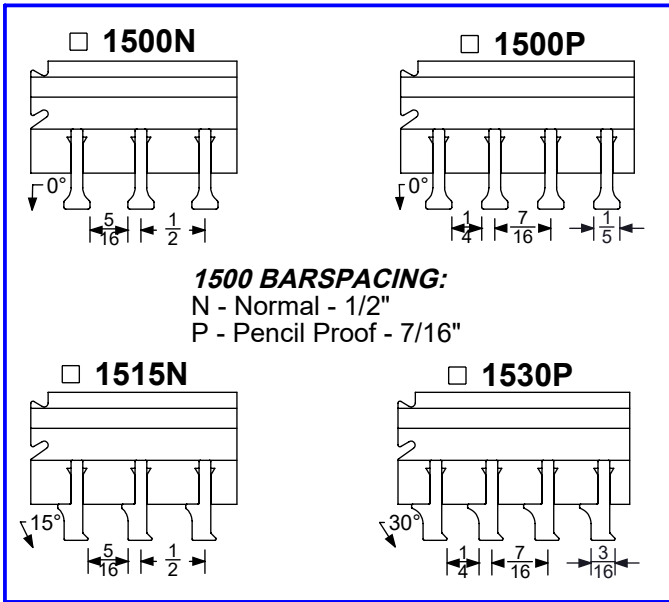
- ALIGNMENT TABS & PINS ARE ONLY INCLUDED ON ORDERS OVER 72" IN LENGTH
- *MAX BLADE SUPPORT BAR SPACING IS 9"

FRAME STYLE	FLANGE F	O.A. FACE		ALIGNMENT	
		(1) END CAP	(2) END CAPS	TAB	PIN
AE	1 11/32	LENGTH + 7/8	LENGTH + 1 3/4	41123398	726886
BE	1 3/32	LENGTH + 5/8	LENGTH + 1 1/4	41123398	726886
CE	27/32	LENGTH + 3/8	41123398	726886	
DS	19/32	LENGTH + 1/8	LENGTH + 1/4	722592	728166
RG	11/32	LENGTH - 1/8	LENGTH - 1/4	722593	726886

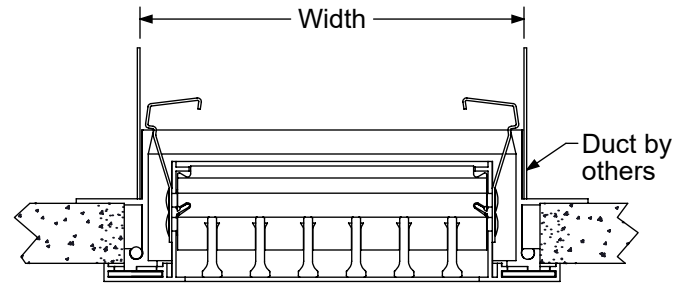
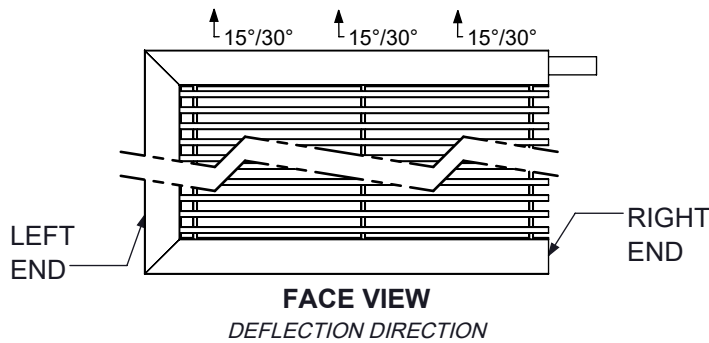


1500/1600 SERIES LINEAR BAR GRILLE CEILING / SIDE WALL / SILL APPLICATION FRAMES / SUBFRAMES AE, BE, CE, DS & RG

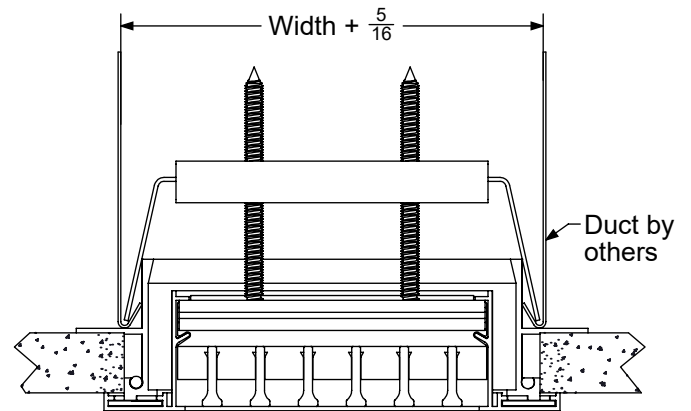
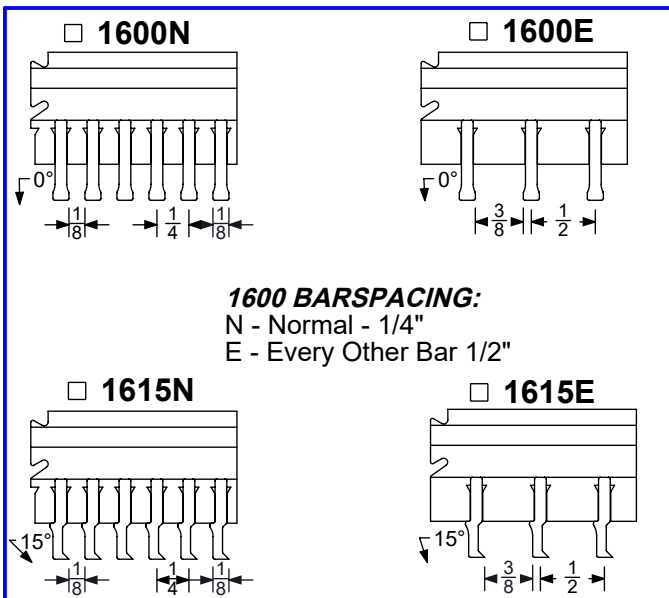
SUBMITTAL SHEET



00 - No Mounting



01 - Spring Clips
All Frames Styles



02 - Concealed Fastening
Not compatible with 1600N or 1615N