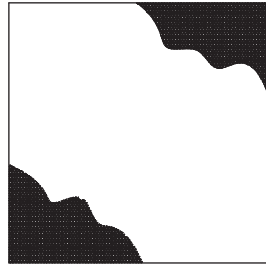
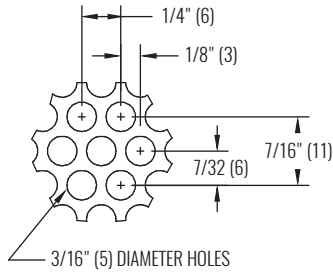


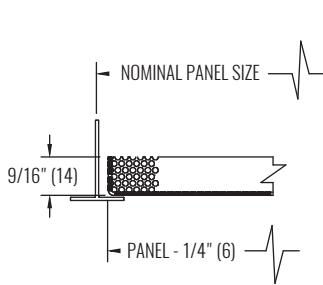
DIMENSIONAL DATA



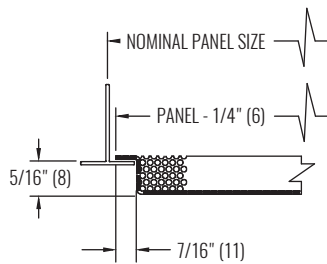
FACE VIEW



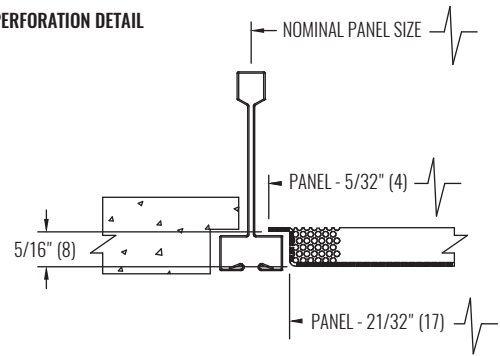
PERFORATION DETAIL



FRAME 23, LAY-IN T-BAR



FRAME 30, DROP FACE



FRAME 98, NARROW-T

NOTE: Dimensions in parentheses are mm.

SOUND CHART | NO DAMPER

AIRFLOW VS. NC LEVEL

