



PTBR

Introduction: PTBR, PFTBR

The PTBR (or fire rated, PFTBR) series plenum slot return diffuser is designed for non-ducted return air systems. The plenum is an integral part of the diffuser and has a slotted opening above the ceiling. The PTBR face is designed to match the PTBS, PTBA, and PTBSS supply units.

MODELS

- PTBR - Plenum Slot Return
- PFTBR - Fire Rated, Plenum Slot Return

FEATURES

- Slots: 1, 2, 3, or 4.
- Slot Widths: 3/4", 1", and 1 1/2".
- Lengths: 24", 36", 48", and 60".
- Double metal thickness at slot face for rigidity and straightness.

ACCESSORIES

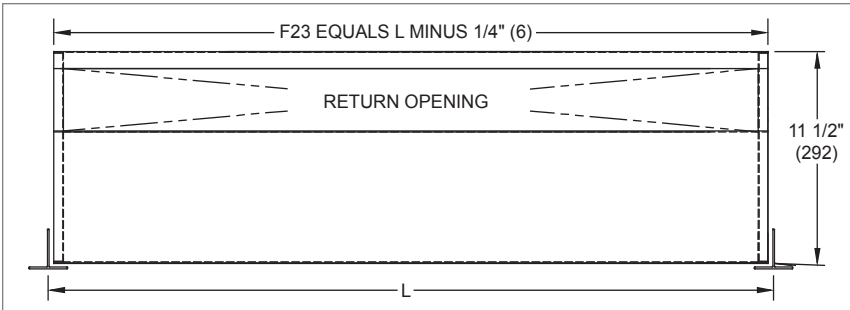
- Factory Installed T-Bars
- Plaster Frame

FINISHES

- Standard finish is black face with optional white tees.
- Optional finishes available.

PTBR Dimensional Information

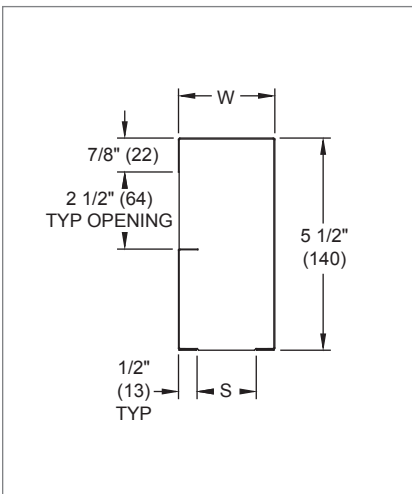
PTBR, RETURN OPENING SIDE VIEW



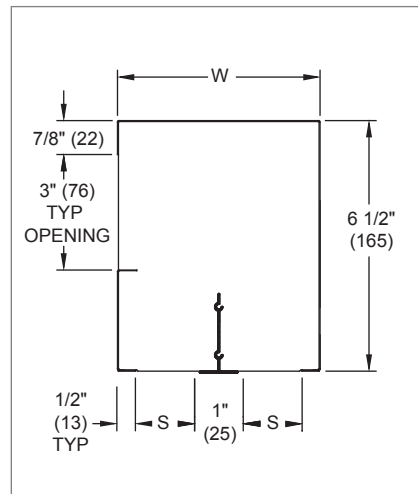
PTBR, AVAILABLE SIZES

S	W			
	1 Slot	2 Slot	3 Slot	4 Slot
3/4" (19)	1 3/4" (44)	3 1/2" (89)	5 1/4" (133)	7" (178)
1" (25)	2" (51)	4" (102)	6" (152)	8" (203)
1 1/2" (38)	2 1/2" (64)	5" (127)	7 1/2" (191)	10" (254)

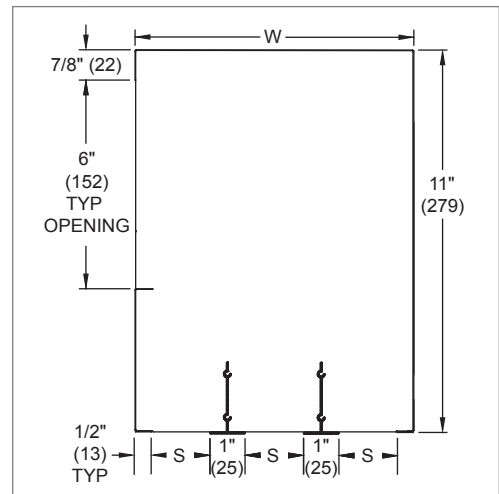
PTBR, 1-SLOT CROSS SECTION



PTBR, 2-SLOT CROSS SECTION

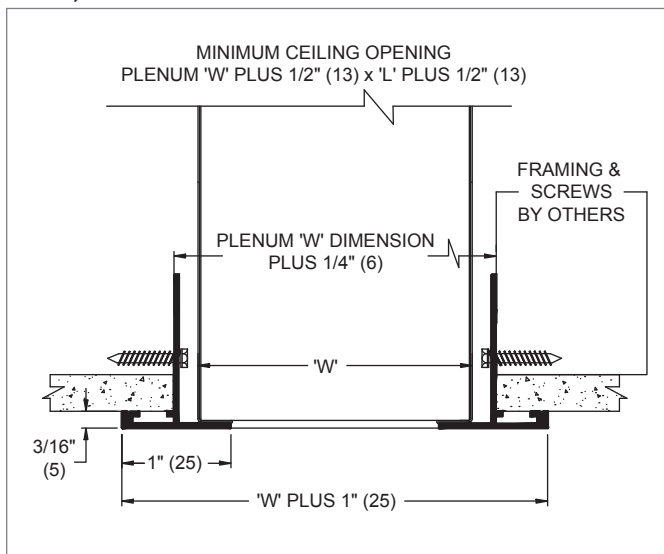
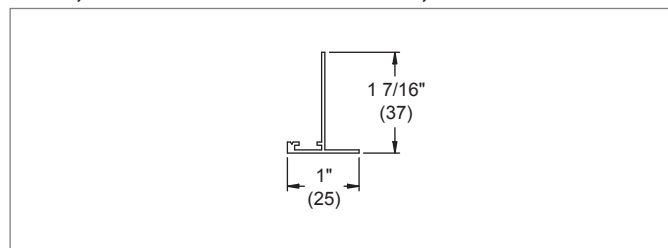
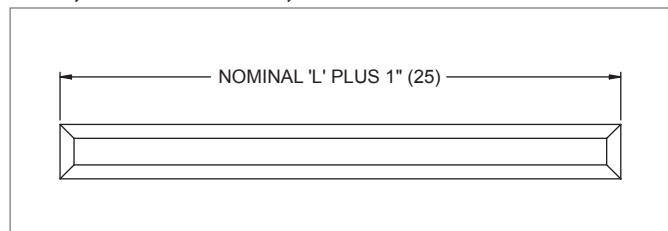


PTBR, 3-SLOT CROSS SECTION



NOTE: Dimensions in parentheses are mm.

© KRUEGER 2012

PTBR Accessories for Frame 23 Lay-In T-Bar
PTBR, FRAME ASSEMBLY

PTBR, PLASTER FRAME ADAPTER, CROSS SECTION

PTBR, PLASTER FRAME, FACE VIEW


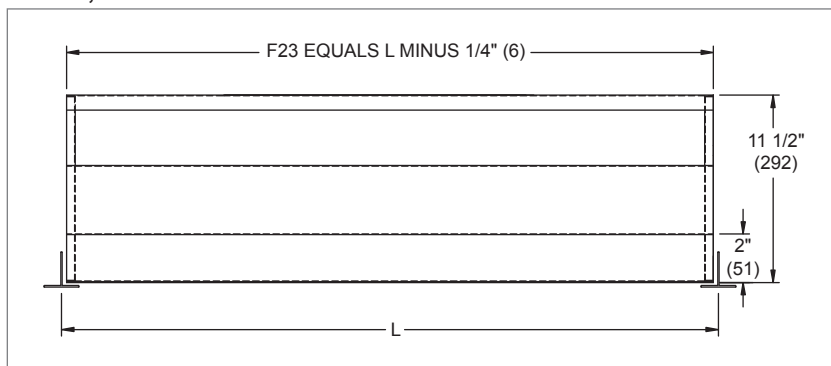
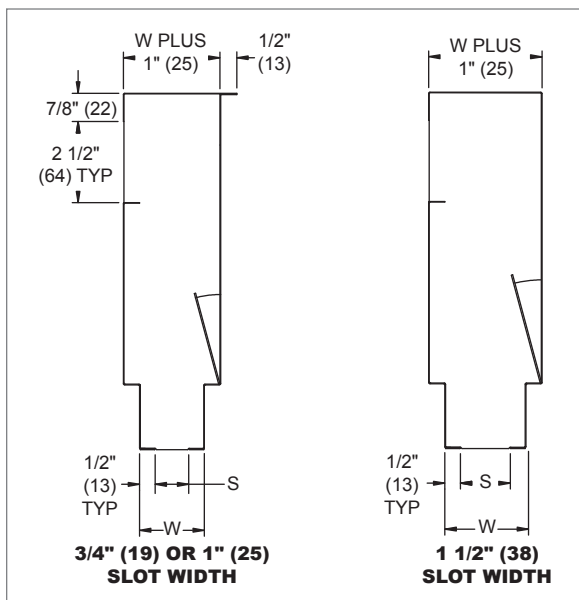
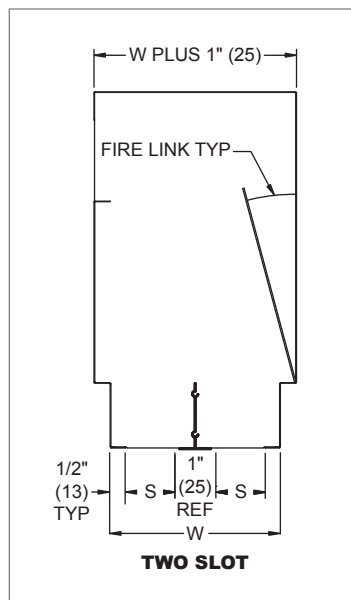
PLENUM SLOT DIFFUSERS

PFTBR Dimensional Information


The PFTBR offers the safety of fire rated performance with the proven PTBR series diffuser. It is intended for use with Lay-in T-Bar application involving fire rated ceiling designs. It combines this flexibility

with all of the features of the standard PTBR and is available exclusively in steel.

PFTBR comes standard as a UL 263 classified assembly which incorporates a 3-hour rated fire damper and a 1/2" thick ceramic fiber blanket.

PFTBR, INLET VIEW

PFTBR 1-SLOT, CROSS SECTION

PFTBR 2-SLOT, CROSS SECTION

PFTBR, AVAILABLE SIZES

S	W	
	1 Slot	2 Slot
3/4" (19)	1 3/4" (44)	3 1/2" (89)
1" (25)	2" (51)	4" (102)
1 1/2" (38)	2 1/2" (64)	5" (127) *

NOTES: Dimensions in parentheses are mm. *2-Slot, 1 1/2" Slot Width is not available with UL rating.

P T B R - P F T B R