

Introduction: 1330

The 1330 series medium/minimum security grilles feature a wire mesh placed behind a heavy duty bar grille with fixed 14 gage blades. This design allows for a secure area without the confining appearance of other security grilles. The heavy construction and wire mesh deter the insertion or concealment of dangerous objects and unwanted contraband.

MODEL

1330 - Medium/minimum security steel grille with fixed 14 gage blades set at 40° on 3/8" centers.

FEATURES

- 16 Gage frame.
- 10 Gage x #2 wire steel mesh.
- 14 Gage steel sleeve with wrap around corner construction and stitch welded seams.
- 30"x30" Maximum single unit size.
- 6", 8", 10", 12", 14", 16", and 18" Sleeve lengths.

ACCESSORIES

- Unpainted steel angle frame shipped loose for field installation, constructed of 1 1/2"x1 1/2"x3/16" angle.
- Steel 3/4" diameter security bars on 6" centers.
- Steel 3"x3/4" diameter anchor bars.
- Two unpainted loose steel angles shipped loose for field installation, constructed of 1 1/2"x1 1/2"x3/16" angle.
- Rear operated OBD.

FINISHES

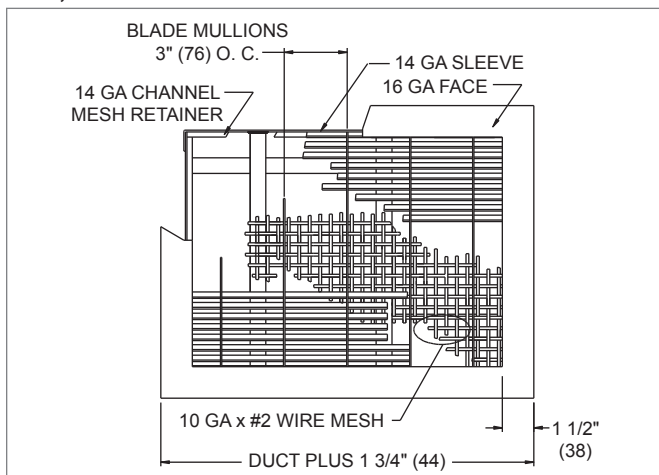
- Standard finish is #44 British White.
- Optional finish is Mill.



1330

1330 Dimensional Information

1330, FACE VIEW



NOTE: Dimensions in parentheses are mm.

1330, CROSS SECTION

