

Introduction: 1390F

The 1390F series security bars feature a grid of bar work that has a maximum of 6" on center spacing. With the variable length sleeve, the 1390F is a great choice where penetration through a wall needs to be secure.

MODEL

1390F - Steel 3/4" diameter security bars with 3/16" thick steel stitch welded sleeve.

FEATURES

- 30"x30" Maximum single unit size.
- Two unpainted steel angle frames shipped loose for field installation, constructed of 1 1/2"x1 1/2"x3/16" angle.
- 6", 8", 10", 12", 14", 16", and 18" Sleeve lengths.

FINISHES

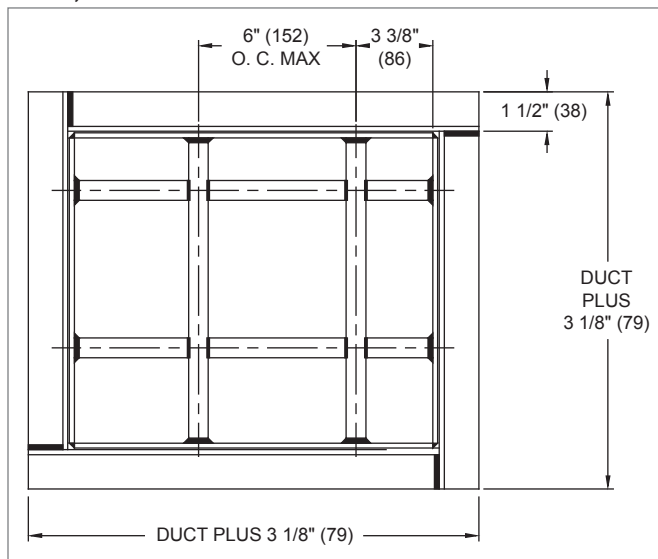
- Standard finish is #44 British White.
- Optional finish is Mill.



1390F

1390F Dimensional Information

1390F, FACE VIEW



NOTE: Dimensions in parentheses are mm.

1390F, CROSS SECTION

