

INTRODUCTION

The 9700 series transfer grilles are designed to ensure visual privacy while providing air circulation from one area to another. The 9700 provides a single side mounting frame for use where appearance is an issue on only one side, as in a utility or storage closet. The 9700A provides a double sided mounting frame (with no deflectors) to fit varying door thickness (minimum 2"), where a finished look is required on both sides, as in an office or kitchen door. The 9700D is a double core configuration to give the appearance of a finished grille on both sides. The sight-proof blade configuration and unobtrusive appearance make Krueger's 9700 series grille an ideal choice for wall or door air transfer from room to room.

MODELS

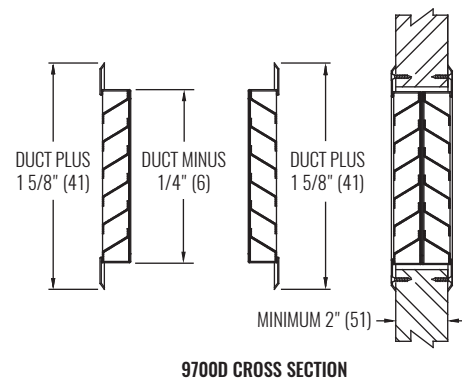
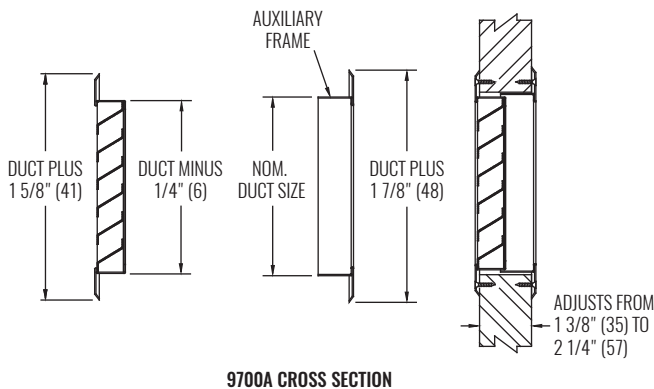
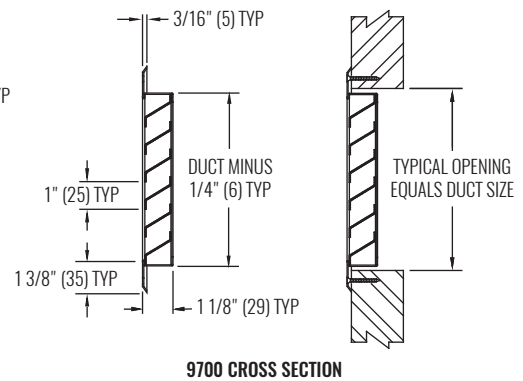
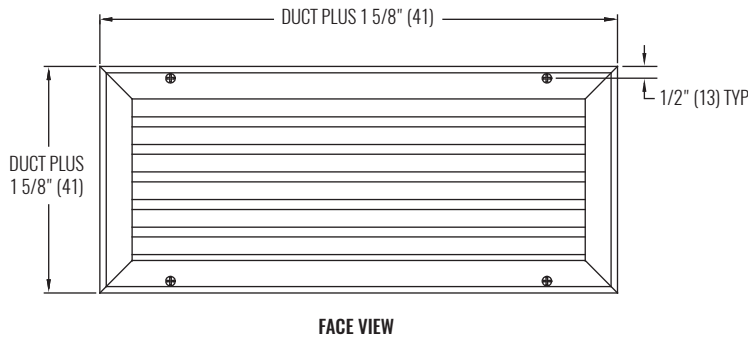
- 9700 - Single core with beveled frame
- 9700A - Single core with 1 3/8" margin auxiliary frame, adjusts to fit door thickness from 1 3/8" to 2 1/4"
- 9700D - Double core with beveled frame, minimum door thickness of 2"

FEATURES

- 304 Stainless steel construction (316 optional)
- Standard finish is 90 - #4 Satin Polish or 44 - British White



DIMENSIONAL DATA



NOTE: Dimensions in parentheses are millimeters (mm).