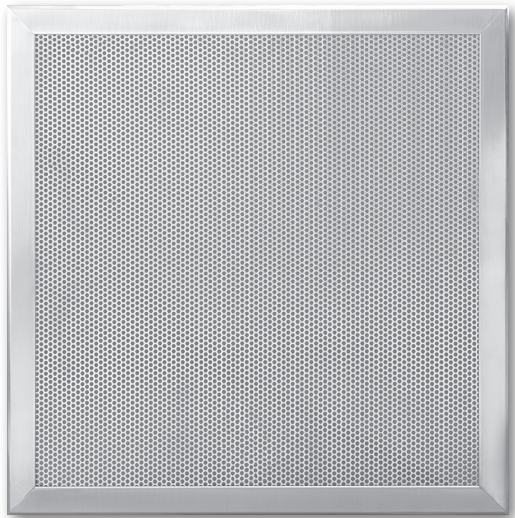


9S80P

Stainless Steel Return Diffuser, Perforated Face



INTRODUCTION

The 9S80P series stainless steel perforated diffusers feature 51% free-area and are used for return applications where bar-style grilles are not required. They are available for surface mount or lay-in T-bar applications.

MODEL

9S80P - Perforated Return Grille

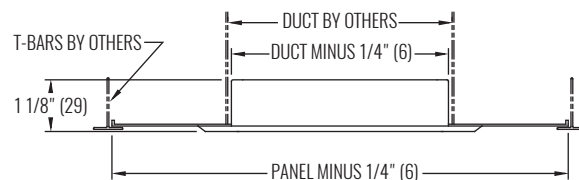
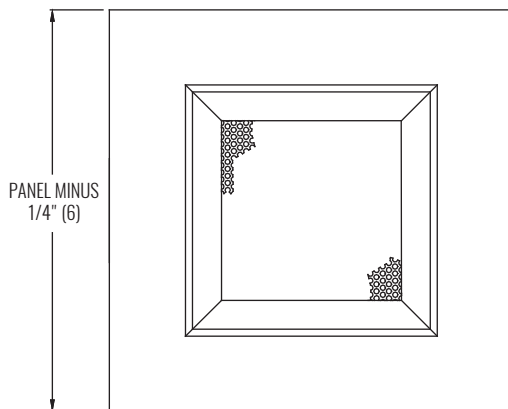
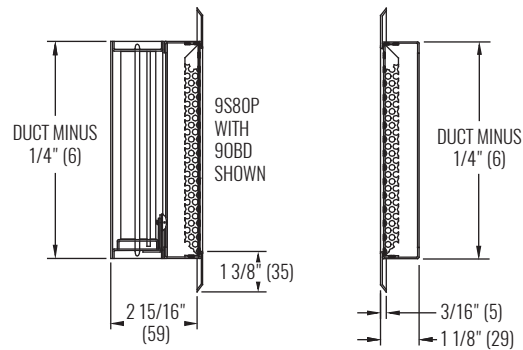
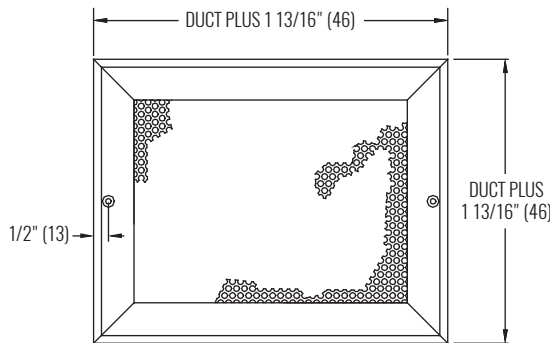
FEATURES

- 3/16" Holes on 1/4" staggered centers (51% free area)
- 304 Stainless steel construction (316 optional)
- Countersunk screw holes in mounting frame (optional)
- Standard finish is 90 - #4 Satin Polish or 44 - British White

ACCESSORIES

- Stainless steel OBD welded to unit, adjustable from face of grille (model 9OBD)
- Plaster frame (model 98PF)
- Square to round adapter (model 9SRA)

DIMENSIONAL DATA



NOTE: Dimensions in parentheses are millimeters (mm).