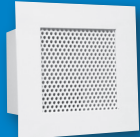


1310, 1310TF & 51310
These perforated face supply grilles feature 5/16" diameter holes on 7/16" staggered centers.



13SD
This perforated face supply grille features 3/16" diameter holes on 9/32" staggered centers.



1320
This lattice face supply grille features 2"x2" square holes and wire mesh between face plate and backer plate.



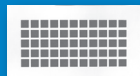
1330
This louvered face supply grille features a wire mesh between the mullion and mesh guard. Blades set horizontally at 40°.



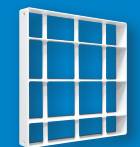
1340
This lattice face with louvered core supply diffuser features 13/16" square holes and 3/16" fret.



51350
This aluminum supply and return grille features 3/16"x3/4" bars on 1/2" centers. Bars are set at 0° deflection.



1380 & 51380
These lattice or perforated face plates feature 13/16" square holes with 3/16" fret or 5/16" diameter holes on 7/16" staggered centers.



1390
This barred duct work features a vertical or horizontal security bar. Round bars are 3/4" diameter. Flat bars are 2 1/2"x1/4".



1390F
This barred duct work with sleeve features vertical and horizontal round security bars. Round bars are 3/4" diameter.

1310, 1310TF, 51310

Introduction & Dimensional Information L1-3
Reference Charts L1-5
Performance Data L1-7
Engineering Specification L1-12

13SD

Introduction & Dimensional Information L1-13
Reference Charts L1-14
Performance Data L1-16
Engineering Specification L1-21

1320

Introduction & Dimensional Information L1-22
Reference Charts L1-23
Performance Data L1-25
Engineering Specification L1-30

1330

Introduction & Dimensional Information L1-31
Reference Charts L1-32
Performance Data L1-34
Engineering Specification L1-39

1340

Introduction & Dimensional Information L1-40
Installation Details, Discharge Air Patterns, & Reference Chart L1-41
Performance Data L1-42
Engineering Specification L1-44

51350

Introduction & Dimensional Information L1-45
Reference Charts L1-46
Performance Data L1-48
Engineering Specification L1-53

1380L, 51380L, 1380P, 51380P

Introduction & Dimensional Information L1-54
Screw Hole Detail L1-55
Engineering Specification L1-56

1390

Introduction & Dimensional Information L1-57
Engineering Specification L1-58

1390F

Introduction & Dimensional Info L1-59
Engineering Specification L1-60

Security Grille Accessories

Dimensional Information L1-61

Introduction: 1390F

The 1390F series security bars feature a grid of bar work that has a maximum of 6" on center spacing. With the variable length sleeve, the 1390F is a great choice where penetration through a wall needs to be secure.

MODEL

1390F - Steel 3/4" diameter security bars with 3/16" thick steel stitch welded sleeve.

FEATURES

- 30"x30" Maximum single unit size.
- Two unpainted steel angle frames shipped loose for field installation, constructed of 1 1/2"x1 1/2"x3/16" angle.
- 6", 8", 10", 12", 14", 16", and 18" Sleeve lengths.

FINISHES

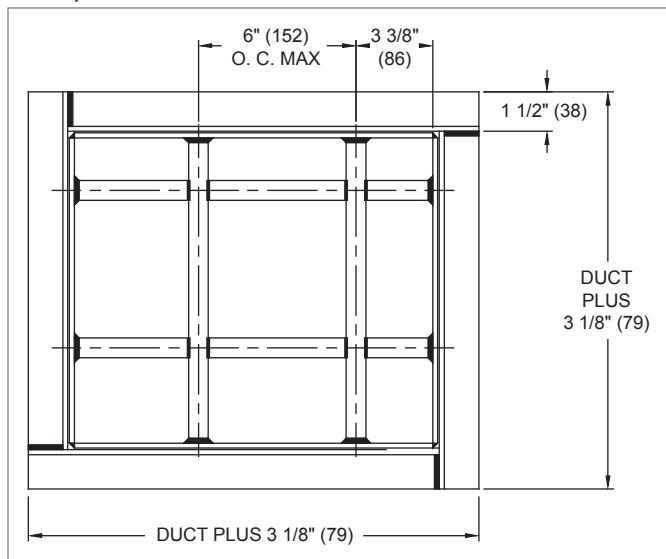
- Standard finish is #44 British White.
- Optional finish is Mill.



1390F

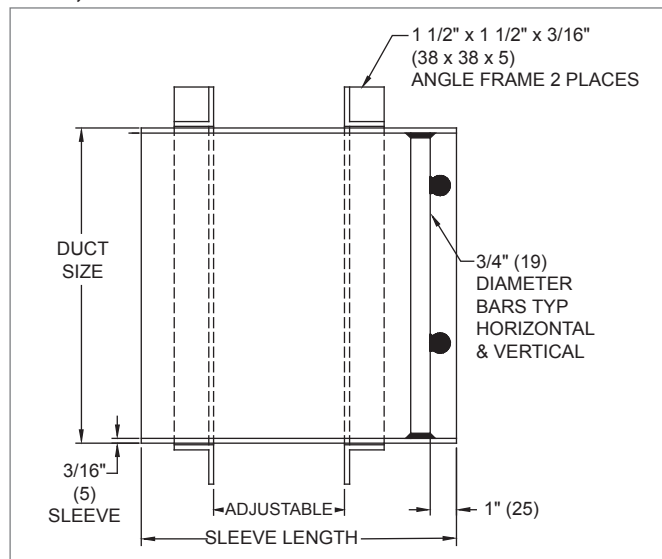
1390F Dimensional Information

1390F, FACE VIEW



NOTE: Dimensions in parentheses are mm.

1390F, CROSS SECTION



1390F Suggested Specification & Configuration

1390F

The barrier grille shall be a Krueger model 1390F. The barrier grille shall be constructed of 3/4" diameter steel horizontal and vertical bars not to exceed 6" on center in either direction. The bars shall be surrounded by a 3/16" thick sleeve and stitch welded along the entire length of the sleeve. Two steel angle frames 1 1/2"x1 1/2"x3/16" welded at the corners shall be shipped loose for field attachment.

FINISH

The paint finish shall be #44 British White and be an anodic acrylic paint, baked at 315°F for 30 minutes. The paint thickness shall be 0.8 – 1.0 mils, gloss at 60° per ASTM D523-89 of 50 – 85%, pencil hardness per ASTM D3363-92A of HB – H, crosshatch adhesion per ASTM D3359-83 of 4B – 5B, impact per ASTM D2794-93 of direct impact >100 in/lb and reverse impact >80 in/lb, salt spray per ASTM B117-9048 of 96 hours, humidity per ASTM D2247-92 of >500 hours and water soak per ASTM D870-92 of 250 hours.

- 1. SERIES: (XXXXX)**
1390F - Security Barred Duct Work with Sleeve
- 2. WIDTH: (XX)**
6" - 30" in 2" Increments
- 3. HEIGHT: (XX)**
4" - 30" in 2" Increments
- 4. SLEEVE LENGTH: (XX)**
6", 8", 10", 12", 14", 16", or 18"
- 5. FINISH: (XX)**
01 - Mill
44 - British White

SAMPLE CONFIGURATION: 1390F - 24x24 - 18 - 44