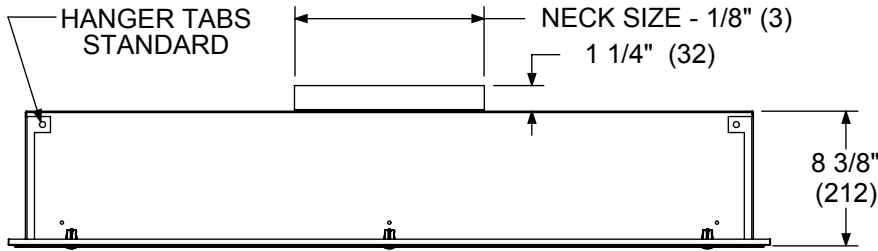
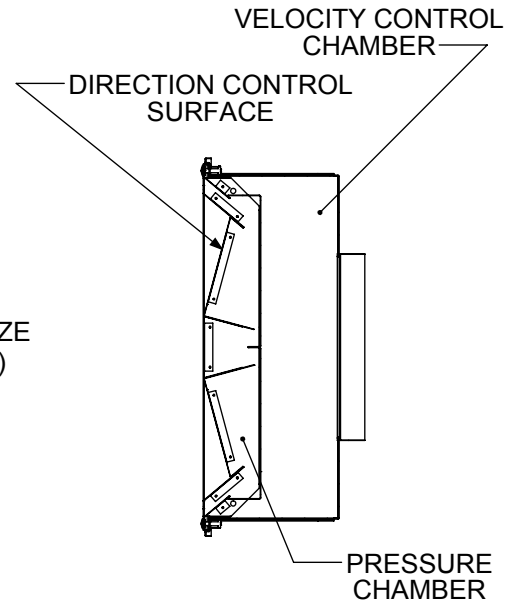
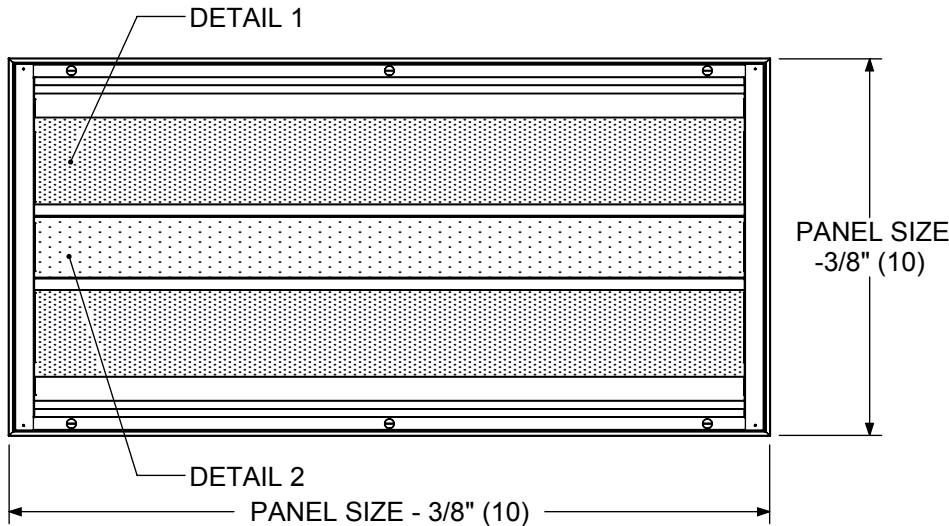


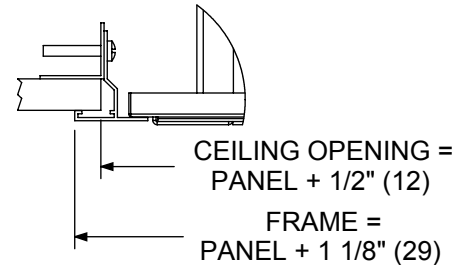
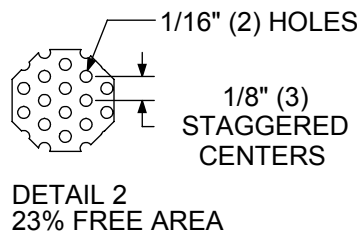
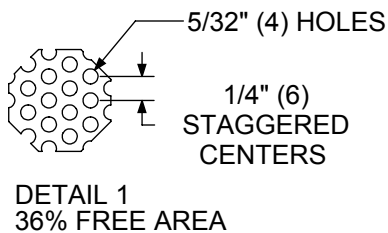
RadiaFlo RF Series
 2-Way, 180°, Radial Air Diffusion

SUBMITTAL SHEET


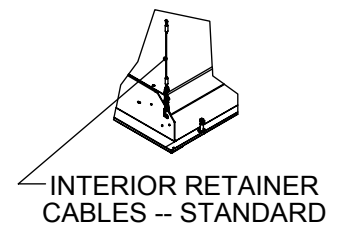
UNIT SIZE		NECK SIZE
48" X 24"	24" X 24"	
<input type="checkbox"/> 10"	<input type="checkbox"/> 08"	
<input type="checkbox"/> 12"	<input type="checkbox"/> 10"	



FACE: ALUMINUM (5RF) STAINLESS (9RF)
 BACKPAN: ALUMINUM STAINLESS STEEL


NOTES:

- NON-INTRUSIVE FACE DESIGN
- FACE AND BACKPAN ARE COMPLETE ASSEMBLY
- MULTIPLE PANEL PERFORATED FACE FOR SUPERIOR PERFORMANCE
- FACE IS EASILY REMOVABLE FOR CLEANING UTILIZING 1/4 TURN FASTENERS
- FACE AVAILABLE IN ALUMINUM (5RF) OR STAINLESS (9RF)
- BACKPAN AVAILABLE IN ALUMINUM, STAINLESS, OR STEEL
- STANDARD FINISH IS #44 WHITE. OTHER FINISHES AVAILABLE
- AVAILABLE IN 48"X24" OR 24"X24" PANEL--SEE CHART FOR NECK SIZES
- T-BAR MOUNT (F23) STANDARD. OPTIONAL HARD CEILING MOUNT (F22) WITH SUPPLIED 5HCF23 FRAME



DIMENSIONS GIVEN AS
INCHES (MM)