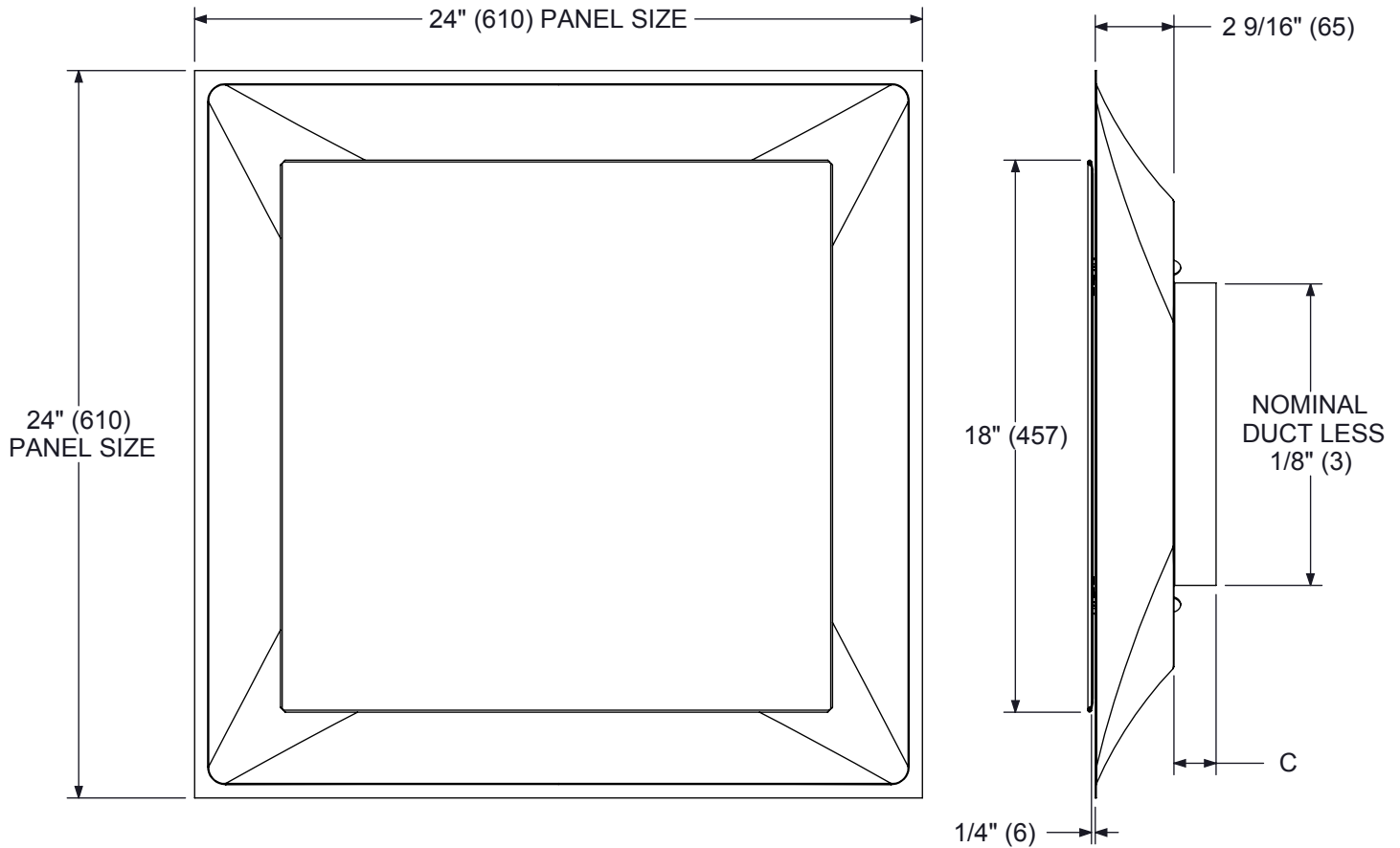
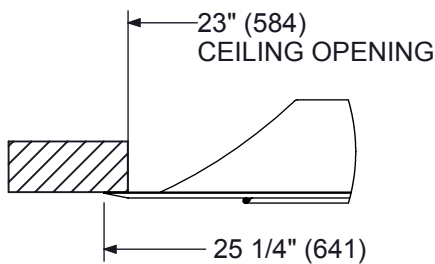
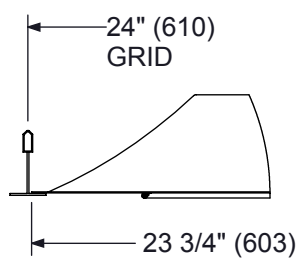
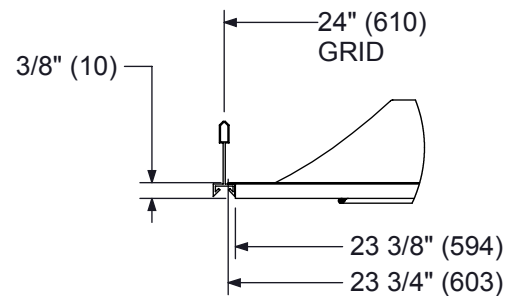


5PLQ Architectural Ceiling Diffuser

24 x 24 PANEL WITH ROUND NECK

SUBMITTAL SHEET


FACE VIEW
SIDE VIEW

 FRAME 22
SURFACE MOUNT

 FRAME 23
LAY-IN T-BAR

 FRAME 98
NARROW TEE

NOTES:

1. CONSTRUCTION IS 100% ALUMINUM.
2. SUITABLE FOR MRI ROOMS.
3. BRITISH WHITE IS STANDARD FINISH.
4. WHEN USING FLEX DUCT WITH HARD CEILING PLEASE ORDER F23 WITH CORRESPONDING (5)HCF23 PLASTER FRAME.
5. SEE FORM DS3403 FOR PATTERN BLANK OFF DETAILS.

DIMENSIONS ARE SHOWN IN INCHES (MM)

		NOMINAL DUCT SIZES					
		6	8	10	12	14	16
		(152)	(203)	(254)	(305)	(356)	(381)
C		1 1/8" (29)	1 1/4" (32)	1 3/8" (35)	1 3/8" (35)	1 3/8" (35)	1 3/8" (35)