

SUBMITTAL SHEET

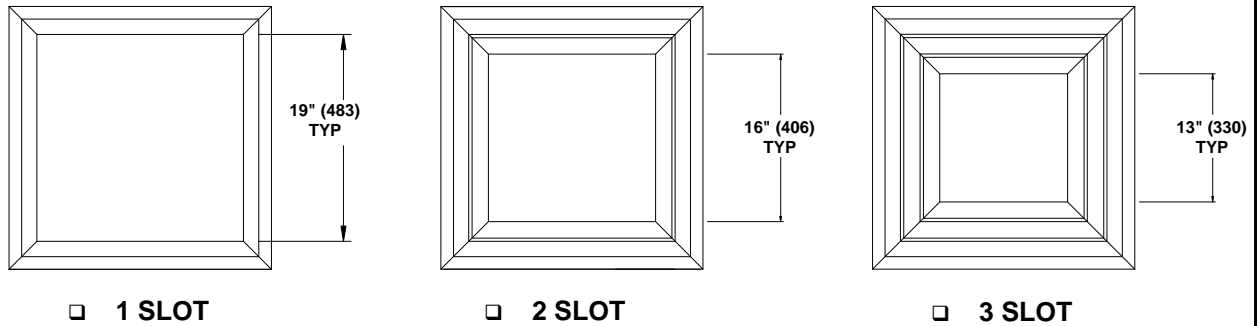
Form Number DS0418.2 Effective Date 6/13
Replaces FORM DS0418.1

JOB NAME _____
ARCHITECT _____
ENGINEER _____
CONTRACTOR _____
LOCATION _____

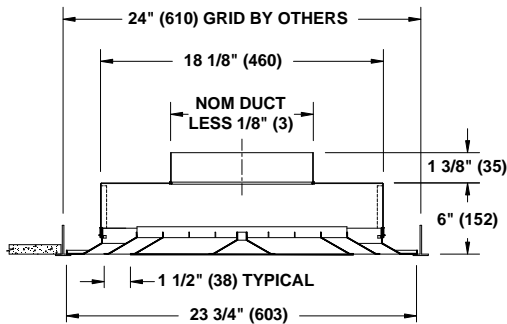


SHRPLQ SERIES STEEL SQUARE LOUVER FACE WITH CENTER PLAQUE

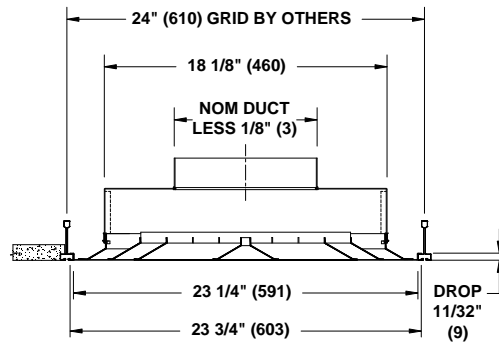
ROUND NECK



SHRPLQ – FACE VIEW
FRAME 23



FRAME 23



FRAME 98

NOTES:

- SHRPLQ SERIES IS STEEL CONSTRUCTION WITH SQUARE TO ROUND NECK ADAPTER AND SPRING LATCH CORE.
- NOMINAL PANEL AVAILABLE IS 24x24 (610x610) ONLY.

ACCESSORIES:

- SEE ROUND DAMPER SECTION FOR SELECTION

	AVAILABLE NECK SIZES
1 SLOT	6 8 10
2 SLOT	6 8 10 12
3 SLOT	8 10 12 14

DIMENSIONS ARE SHOWN AS
INCHES (MM)