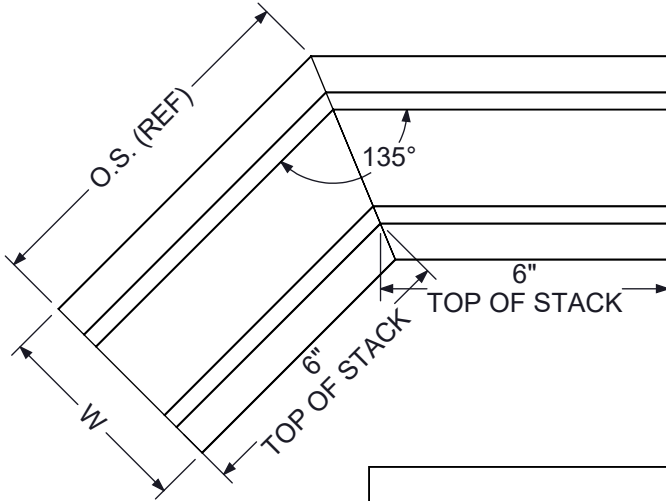


**DFMC**
**DESIGNFLO™ 135° ALUMINUM MITERED CORNER**
**SUBMITTAL SHEET**

U.S. PATENT #6,220,958

- 
- DFMC**
- 
- 135° MITERED CORNER


**DFMC NOTES:**

- TRANSITIONS ARE INACTIVE WITH BLANK OFFS INSTALLED AT FACTORY
- SEE FORM GC0113 FOR DFMC135°
- SEE FORM GS0100 FOR ADDITIONAL DFL 1 SLOT DETAILS
- SEE FORM GS0102 FOR ADDITIONAL DFL 2 SLOT DETAILS
- 2 SLOT 'MC' UNITS ARE AVAILABLE IN 'NV' CONFIGURATION ONLY.

**OPTIONS:**

- 
- FOR SPECIFIC ANGLES OTHER THAN 90° OR 135°. CONTACT KRUEGER SALES FOR DETAILS.

		FRAME STYLES								
		<input type="checkbox"/> AA		<input type="checkbox"/> BB		<input type="checkbox"/> CC				
		MODEL	SLOT	W	O.S.	W	O.S.	W	O.S.	
<b>ONE SLOT UNITS</b>	<input type="checkbox"/>	DFMC10	1 (25)	2 3/4 (70)	7 3/16 (186)	4 1/4 (108)	7 1/2 (191)	3 1/8 (79)	7 1/4 (184)	
	<input type="checkbox"/>	DFMC15	1 1/2 (38)	3 3/4 (95)	7 9/16 (192)	5 1/4 (133)	7 7/8 (200)	4 1/8 (105)	7 5/8 (194)	
	<input type="checkbox"/>	DFMC20	2 (51)	4 3/4 (121)	8 (203)	6 1/4 (159)	8 3/16 (209)	5 1/8 (130)	8 (203)	
	<input type="checkbox"/>	DFMC25	2 1/2 (64)	5 3/4 (146)	8 3/8 (213)	6 3/4 (171)	8 9/16 (218)	6 1/8 (156)	8 1/2 (216)	
	<input type="checkbox"/>	DFMC30	3 (76)	6 3/4 (171)	8 13/16 (224)	7 3/4 (197)	9 (229)	7 1/8 (181)	8 7/8 (225)	
			<input type="checkbox"/> FF		<input type="checkbox"/> AD* / <input type="checkbox"/> DA*		<input type="checkbox"/> AC* / <input type="checkbox"/> CA**			
			MODEL	SLOT	W	O.S.	W	O.S.	W	O.S.
	<input type="checkbox"/>	<input type="checkbox"/>	DFMC10	1 (25)	3 3/4 (95)	7 3/8 (187)	2 3/4 (70)	7 3/16 (186)	2 15/16 (75)	7 1/4 (184)
	<input type="checkbox"/>	<input type="checkbox"/>	DFMC15	1 1/2 (38)	4 3/4 (121)	7 3/4 (197)	3 3/4 (95)	7 9/16 (192)	3 15/16 (100)	7 5/8 (194)
	<input type="checkbox"/>	<input type="checkbox"/>	DFMC20	2 (51)	5 3/4 (146)	8 3/16 (208)	4 3/4 (121)	8 (203)	4 15/16 (125)	8 (203)
<input type="checkbox"/>	<input type="checkbox"/>	DFMC25	2 1/2 (64)	6 3/4 (171)	8 9/16 (217)	NA	8 3/8 (213)	5 15/16 (151)	8 1/2 (216)	
<input type="checkbox"/>	<input type="checkbox"/>	DFMC30	3 (76)	7 3/4 (197)	9 (229)	NA	8 13/16 (224)	6 15/16 (176)	8 7/8 (225)	

		FRAME STYLES								
		<input type="checkbox"/> AA		<input type="checkbox"/> BB		<input type="checkbox"/> CC				
		MODEL	SLOT	W	O.S.	W	O.S.	W	O.S.	
<b>TWO SLOT UNITS</b>	<input type="checkbox"/>	DFMC10	1 (25)	5 3/16 (132)	8 1/8 (206)	6 11/16 (170)	8 1/2 (216)	5 9/16 (141)	8 1/4 (210)	
	<input type="checkbox"/>	DFMC15	1 1/2 (38)	7 3/16 (183)	9 (229)	8 11/16 (221)	9 1/4 (235)	7 9/16 (116)	9 1/16 (230)	
	<input type="checkbox"/>	DFMC20	2 (51)	9 3/16 (233)	9 13/16 (249)	10 11/16 (271)	10 1/8 (257)	9 9/16 (243)	9 7/8 (251)	
	<input type="checkbox"/>	DFMC25	2 1/2 (64)	11 3/16 (284)	10 5/8 (270)	12 3/16 (310)	10 7/8 (276)	11 9/16 (294)	10 11/16 (272)	
	<input type="checkbox"/>	DFMC30	3 (76)	13 3/16 (335)	11 1/2 (292)	14 3/16 (360)	11 7/8 (301)	13 9/16 (344)	11 1/2 (292)	
			<input type="checkbox"/> FF		<input type="checkbox"/> AC*		<input type="checkbox"/> CA*			
			MODEL	SLOT	W	O.S.	W	O.S.	W	O.S.
	<input type="checkbox"/>	<input type="checkbox"/>	DFMC10	1 (25)	6 3/16 (157)	8 3/8 (212)	5 3/8 (137)	8 1/4 (210)	5 3/8 (137)	8 1/8 (206)
	<input type="checkbox"/>	<input type="checkbox"/>	DFMC15	1 1/2 (38)	8 3/16 (208)	9 3/16 (233)	7 3/8 (187)	9 1/16 (230)	7 3/8 (187)	9 (229)
	<input type="checkbox"/>	<input type="checkbox"/>	DFMC20	2 (51)	10 3/16 (259)	10 (254)	9 3/8 (238)	9 7/8 (251)	9 3/8 (238)	9 13/16 (249)
<input type="checkbox"/>	<input type="checkbox"/>	DFMC25	2 1/2 (64)	12 3/16 (310)	10 13/16 (275)	11 3/8 (289)	10 11/16 (272)	11 3/8 (289)	10 5/8 (270)	
<input type="checkbox"/>	<input type="checkbox"/>	DFMC30	3 (76)	14 3/16 (360)	11 11/16 (296)	13 3/8 (340)	11 1/2 (292)	13 3/8 (340)	11 1/2 (292)	

\* THE FIRST FRAME LISTED WILL BE THE INSIDE EDGE FRAME

\*\* FRAME CA "O.S." DIMENSIONS WILL MATCH FRAME AA O.S. DIMENSIONS

 DIMENSIONS ARE GIVEN  
 AS INCHES (MM)

 Revision Date: **02/01/2024**

 Form: **GC0113.5**

 Replaces: **GC0113.4**

Product Information is Subject to Change Without Notice