

Introduction: SHRPLQ

The SHRPLQ series square diffuser provides the building designer with the desired plaque diffuser appearance and superior throw performance. The 24"x24" SHRPLQ has one, two, or three slots with a square plaque face in the center. The removable core offers easy duct and damper access. They feature a 1/4" horizontal lip on the louvered core, resulting in a tight horizontal pattern at the ceiling and a higher discharge velocity at the face. This creates a high induction region just below the face of the diffuser, which makes them an excellent choice for variable air volume systems.

MODELS

SHRPLQ - Steel Louvered, Plaque Diffuser

FEATURES

- Available in 1, 2, or 3 slots.
- Core is removable from face of diffuser.
- Round duct connections.

ACCESSORIES

- Optional straightening grids.
- Optional round damper.



SHRPLQ

PANEL SIZE

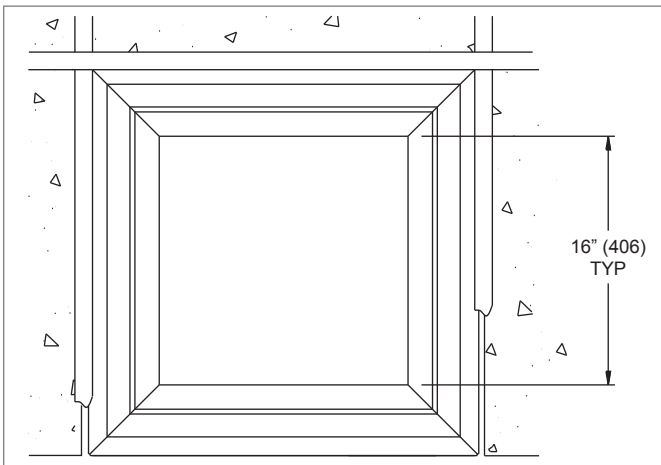
- 24"x24"

FINISHES

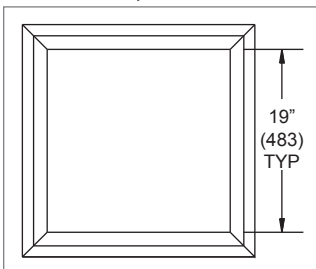
- Standard finish is #44 British White.
- Optional finishes available.

SHRPLQ Dimensional Information

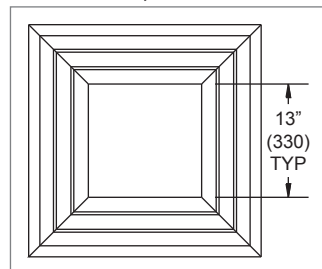
SHRPLQ, FACE VIEW, 2 SLOT



FACE VIEW, 1 SLOT

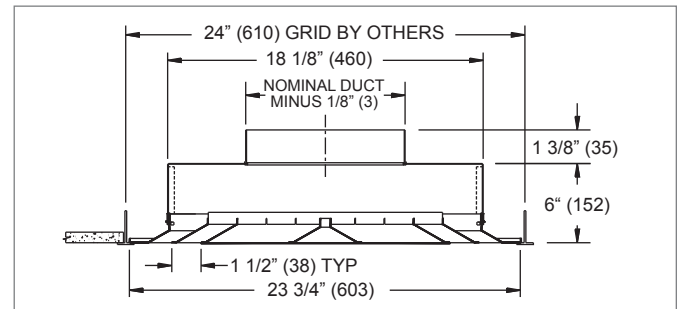


FACE VIEW, 3 SLOTS

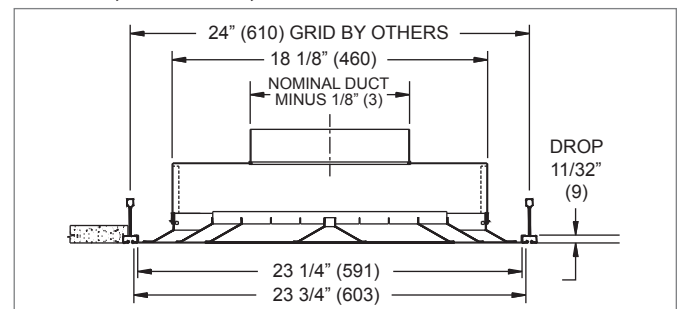


SHRPLQ Frame Styles

SHRPLQ, FRAME 23, LAY-IN T-BAR



SHRPLQ, FRAME 98, NARROW-T



SHRPLQ, AVAILABLE NECK SIZES

Slots	Inlet Size
1 Slot	6" (152), 8" (203), 10" (254)
2 Slot	6" (152), 8" (203), 10" (254), 12" (305)
3 Slot	8" (203), 10" (254), 12" (305), 14" (356)

NOTE: Dimensions in parentheses are mm.