

Introduction: RPN

Designed for surface mount applications, this high capacity punkah nozzle diffuser provides an air jet, which can be adjusted up to 70° of global rotation for direction projection.

MODEL

RPN - Round Punkah Nozzle, Surface Mount

FEATURES

- Aluminum construction.
- Aluminum aperture damper with stainless steel hardware (optional).
- Foam gasket and mounting screws included.
- Directional air pattern control (70° global rotation).
- For use in surface mount applications.
- Flex duct mounting ring (optional).

FINISHES

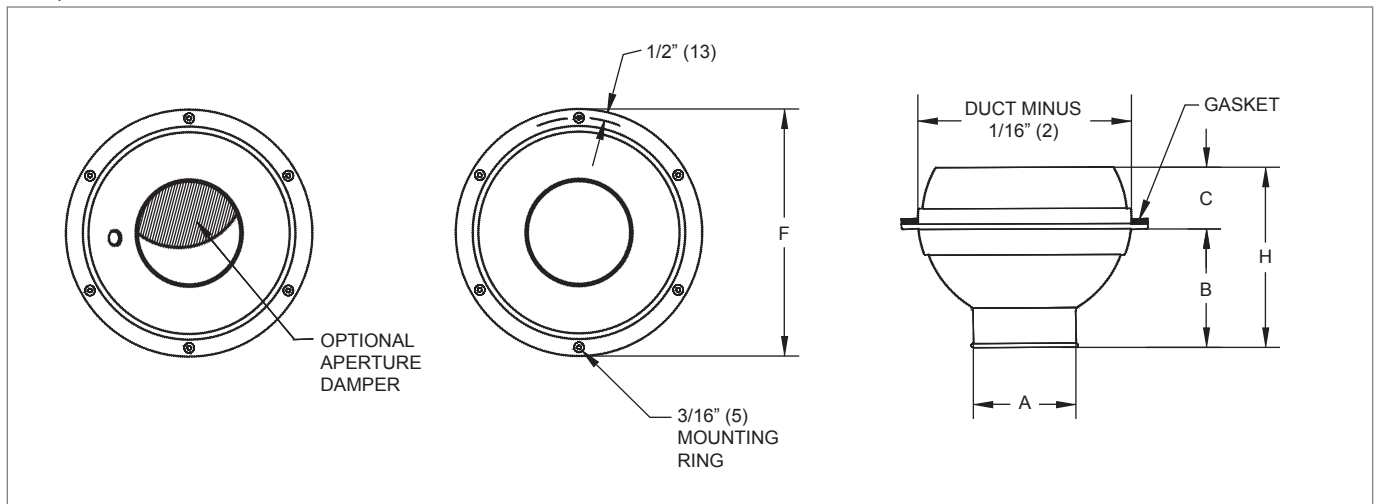
- Standard finish is #44 British White or #81 Clear Anodized.
- Optional finishes available.



RPN (Face & Side View)

RPN Dimensional Information

RPN, FACE AND SIDE VIEWS



RPN, DIMENSIONAL DETAILS

Nominal Size	A	B	C	Duct Size (D)	F	H	Screw Holes
4	2" (51)	2 9/16" (65)	3/4" (19)	4" (102)	6" (152)	3 5/16" (84)	3
6	3" (76)	3 1/16" (78)	1 7/16" (37)	6" (152)	8" (203)	4 1/2" (114)	4
8	4 3/8" (111)	4 1/4" (108)	1 3/4" (44)	8" (203)	10" (254)	6" (152)	4
10	5 3/4" (146)	5 1/2" (140)	2 7/8" (73)	10" (254)	12" (305)	8 3/8" (213)	6
12	7 3/8" (187)	6" (152)	3" (76)	12" (305)	14" (356)	9" (229)	6
14	8 5/8" (219)	7 1/8" (181)	4 1/8" (105)	14" (356)	16" (406)	11 1/4" (286)	6
16	9 3/4" (248)	8 1/4" (210)	4 3/4" (121)	16" (406)	18" (457)	13" (330)	6
18	10 1/2" (267)	9 1/2" (241)	4 1/4" (108)	18" (457)	20" (508)	13 3/4" (349)	8
20	12 3/8" (314)	10 7/8" (276)	4 7/8" (124)	20" (508)	22" (559)	15 3/4" (400)	8

NOTE: Dimensions in parentheses are mm.