

RPNRD (Face & Side View)

Introduction: RPNRD

Designed to fit cleanly over the end of spiral or round duct work, this punkah nozzle with an integrated round duct adaptor works great in exposed duct applications.

MODEL

RPNRD - Round Punkah Nozzle, Round Duct Adaptor

FEATURES

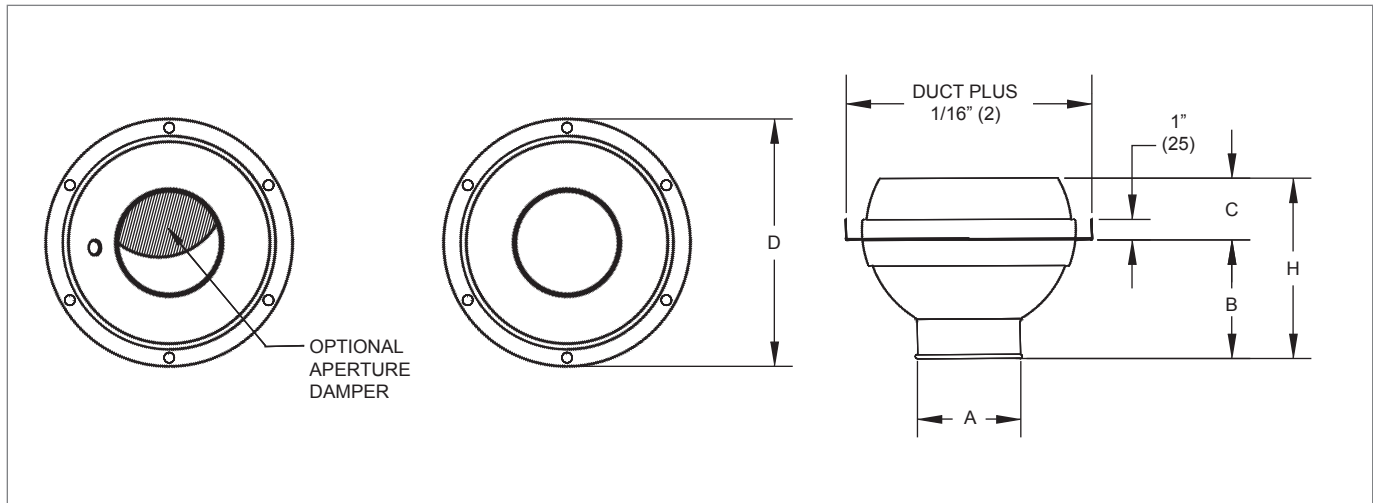
- Aluminum construction.
- Aluminum aperture damper with stainless steel hardware (optional).
- Foam gasket and mounting screws included.
- Directional air pattern control (70° global rotation).
- For use in duct mount applications.

FINISHES

- Standard finish is #44 British White or #81 Clear Anodized.
- Optional finishes available.

RPNRD Dimensional Information

RPNRD, FACE AND SIDE VIEWS



RPNRD, DIMENSIONAL DETAILS

Nominal Size *	A	B	C	Duct Size (D)	H
6	3" (76)	3 1/16" (78)	1 7/16" (37)	8" (203)	4 1/2" (114)
8	4 3/8" (111)	4 1/4" (108)	1 3/4" (44)	10" (254)	6" (152)
10	5 3/4" (146)	5 1/2" (140)	2 7/8" (73)	12" (305)	8 3/8" (213)
12	7 3/8" (187)	6" (152)	3" (76)	14" (356)	9" (229)
14	8 5/8" (219)	7 1/8" (181)	4 1/8" (105)	16" (406)	11 1/4" (286)
16	9 3/4" (248)	8 1/4" (210)	4 3/4" (121)	18" (457)	13" (330)
18	10 1/2" (267)	9 1/2" (241)	4 1/4" (108)	20" (508)	13 3/4" (349)
20	12 3/8" (314)	10 7/8" (276)	4 7/8" (124)	22" (559)	15 3/4" (400)

NOTES: Dimensions in parentheses are mm.

* The nominal size is 2" (51) smaller than the duct size to which it mounts. Example: A size 10 mounts on a 12" (305) duct.