

Introduction: RPNRR

This punkah nozzle with an integrated round duct reducer is designed to fit cleanly inside the end of spiral or round duct runs, which makes it a great choice for exposed duct applications.

MODEL

RPNRR - Round Punkah Nozzle

FEATURES

- Aluminum construction.
- Aluminum aperture damper with stainless steel hardware (optional).
- Mounting screws included.
- Directional air pattern control (70° global rotation).
- For use in stub duct applications.

FINISHES

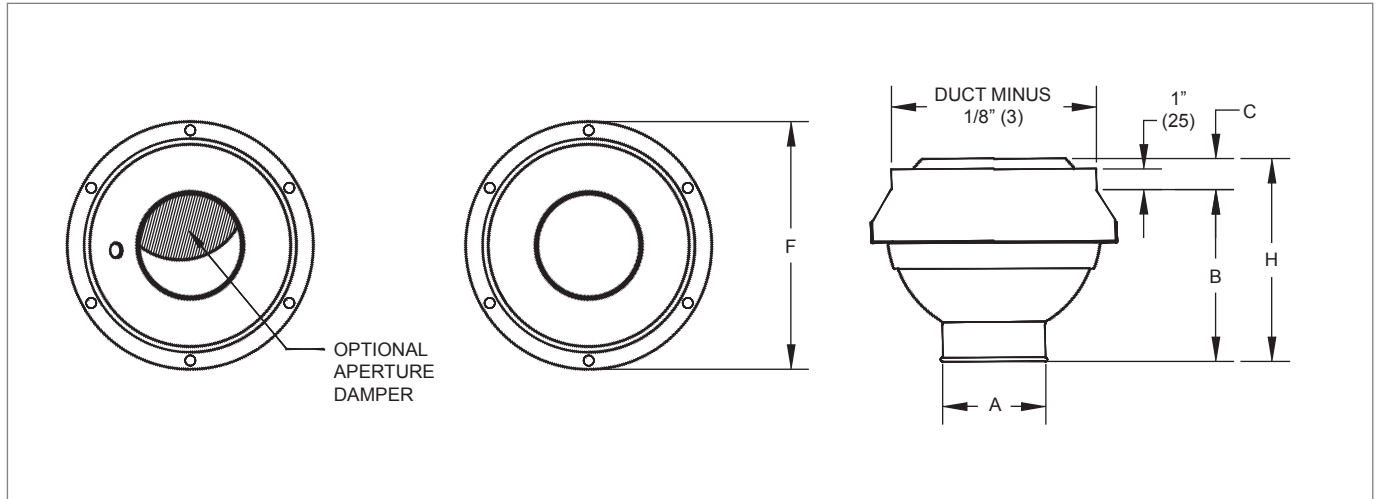
- Standard finish is #44 British White or #81 Clear Anodized.
- Optional finishes available.



RPNRR (Face & Side View)

RPNRR Dimensional Information

RPNRR, FACE AND SIDE VIEWS



RPNRR, DIMENSIONAL DETAILS

Nominal Size	A	B	C	Duct Size (D)	F	H
6	3" (76)	5 9/16" (141)	1" (25)	6" (152)	8" (203)	6 9/16" (167)
8	4 3/8" (111)	6 3/4" (171)	1" (25)	8" (203)	10" (254)	7 3/4" (197)
10	5 3/4" (146)	8" (203)	1" (25)	10" (254)	12" (305)	9" (229)
12	7 3/8" (187)	8 1/2" (216)	1" (25)	12" (305)	14" (356)	9 1/2" (241)
14	8 5/8" (219)	9 5/8" (244)	1 5/8" (41)	14" (356)	16" (406)	11 1/4" (286)
16	9 3/4" (248)	10 3/4" (273)	2 1/4" (57)	16" (406)	18" (457)	13" (330)
18	10 1/2" (267)	12" (305)	1 3/4" (44)	18" (457)	20" (508)	13 3/4" (349)
20	12 3/8" (314)	13 3/8" (340)	2 3/8" (60)	20" (508)	22" (559)	15 3/4" (400)

NOTE: Dimensions in parentheses are mm.