

RPN2P



RPN4P



### Introduction: RPN2P, RPN4P

These multiple pukah nozzle panels were developed to provide accurate direction control for up to four zones.

#### MODELS

- RPN2P - Two Round Pukah Nozzles in a Panel
- RPN4P - Four Round Pukah Nozzles in a Panel

#### FEATURES

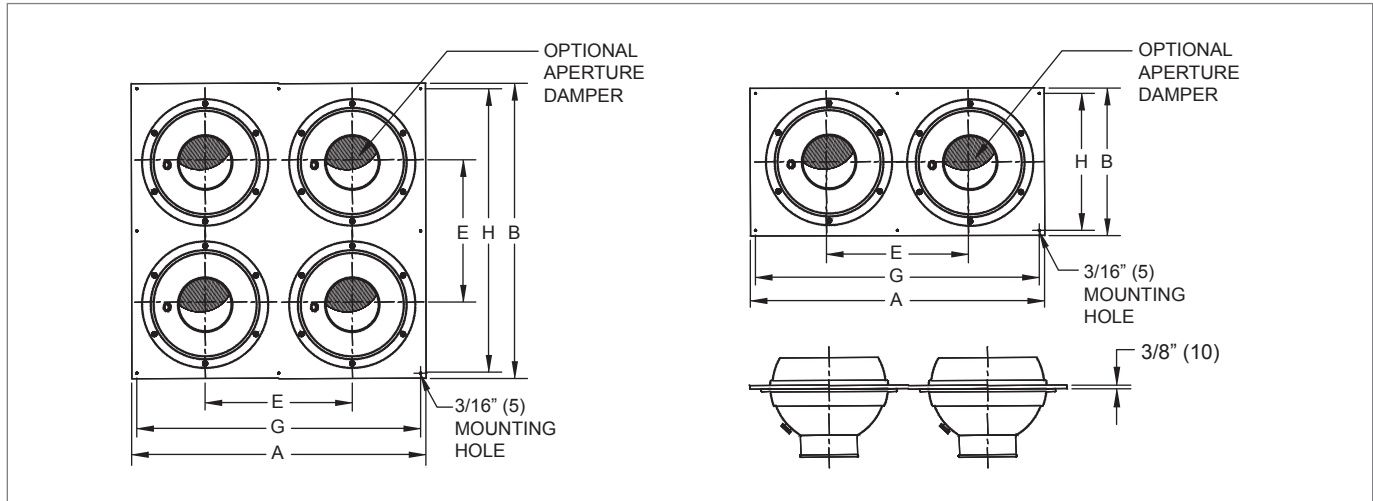
- Aluminum construction.
- Aluminum aperture damper with stainless steel hardware (optional).
- Foam gasket and mounting screws included.
- Directional air pattern control (70° global rotation).
- For use in surface mount applications.

#### FINISHES

- Standard finish is #44 British White or #81 Clear Anodized.
- Optional finishes available.

### RPN2P, RPN4P Dimensional Information

#### RPN2P, RPN4P, FACE AND SIDE VIEWS



#### RPN2P, RPN4P, DIMENSIONAL DETAILS

Panel Size AxB	Duct Size	RPN Per Panel	E	G	H
18"x10" (457x254)	16"x8" (406x203)	Qty 2, 6" (152)	9 1/2" (241)	17" (432)	9" (229)
24"x12" (610x305)	22"x10" (559x254)	Qty 2, 8" (203)	11 1/2" (292)	23" (584)	11" (279)
28"x14" (711x 356)	26"x12" (660x305)	Qty 2, 10" (254)	13 1/2" (343)	27" (686)	13" (330)
32"x16" (813x406)	30"x14" (762x356)	Qty 2, 12" (305)	15 1/2" (394)	31" (787)	15" (381)
18"x18" (457x457)	16"x16" (406x406)	Qty 4, 6" (152)	9 1/2" (241)	17" (432)	17" (432)
24"x24" (610x610)	22"x22" (559x559)	Qty 4, 8" (203)	11 1/2" (292)	23" (584)	23" (584)
28"x28" (711x711)	26"x26" (660x660)	Qty 4, 10" (254)	13 1/2" (343)	27" (686)	27" (686)
32"x32" (813x813)	30"x30" (762x762)	Qty 4, 12" (305)	15 1/2" (394)	31" (787)	31" (787)

NOTE: Dimensions in parentheses are mm.