

Introduction: RP NLP

This punkah nozzle with panel is designed for lay-in T-bar applications where integration into standard ceiling grid is necessary. The RP NLP comes with an integral flex duct collar for easy duct connection.

MODEL

RP NLP - Round Punkah Nozzle in Panel

FEATURES

- Aluminum construction.
- Aluminum aperture damper with stainless steel hardware (optional).
- Foam gasket and mounting screws included.
- Integral flex duct mounting ring included.
- Directional air pattern control (70° global rotation).

FINISHES

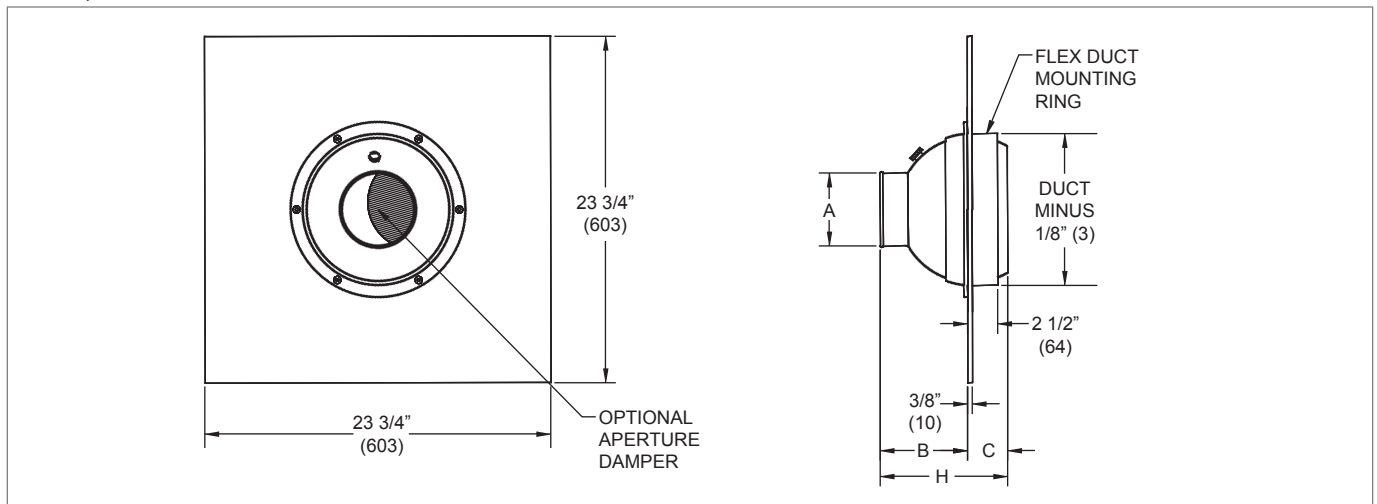
- Standard finish is #44 British White or #81 Clear Anodized.
- Optional finishes available.



RP NLP

RP NLP Dimensional Information

RP NLP, FACE AND SIDE VIEWS



RP NLP, DIMENSIONAL DETAILS

Nominal Size	A	B	C	Duct Size (D)	H
6	3" (76)	3 3/8" (86)	2 1/2" (64)	6" (152)	5 7/8" (149)
8	4 3/8" (111)	4 9/16" (116)	2 1/2" (64)	8" (203)	7 1/16" (179)
10	5 3/4" (146)	5 13/16" (148)	2 9/16" (65)	10" (254)	8 3/8" (213)
12	7 3/8" (187)	6 5/16" (160)	2 11/16" (68)	12" (305)	9" (229)

NOTE: Dimensions in parentheses are mm.