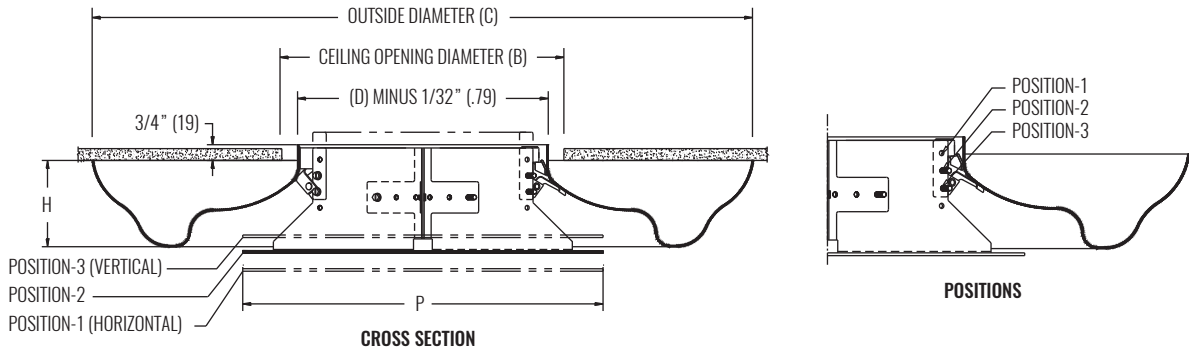


## DIMENSIONAL DATA | RM4PLQ (ANTI-SMUDGE)

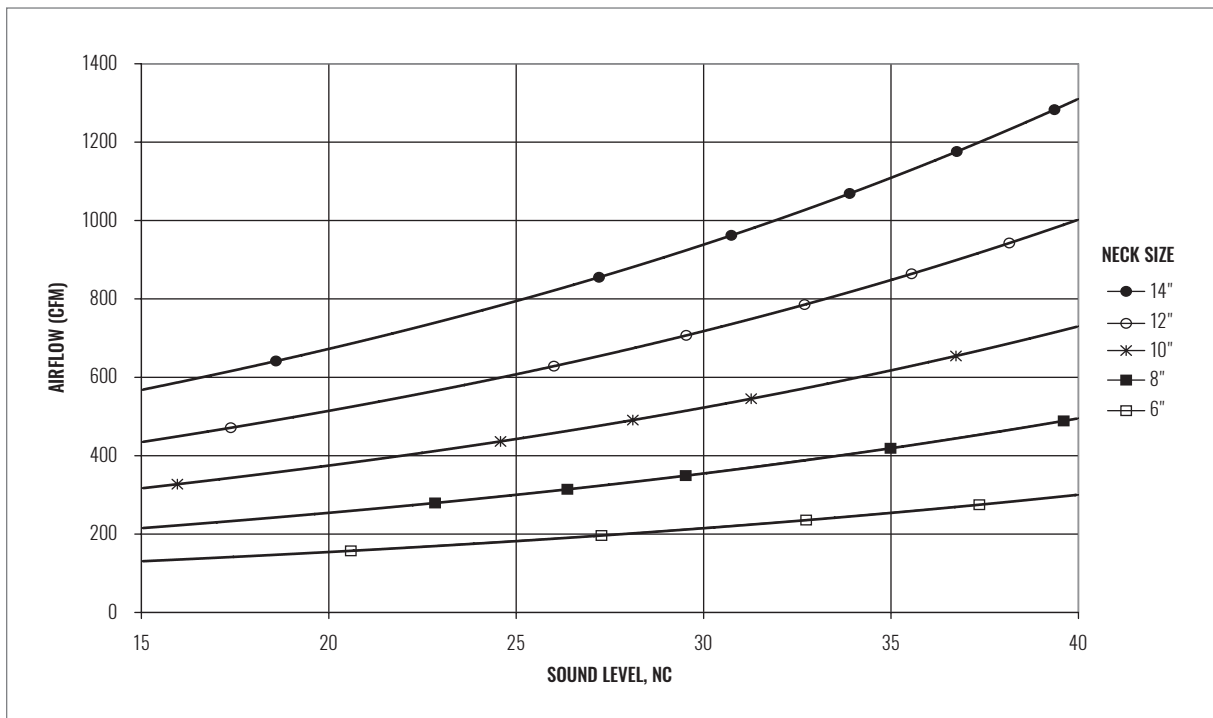


AVAILABLE NECK SIZES				
NOMINAL DUCT DIAMETER	B	C	H	P
6"	7" (178)	17 3/8" (441)	2" (51)	6" (9)
8"	9" (229)	23 1/4" (591)	2 11/16" (68)	12" (305)
10"	11" (279)	29" (737)	3 1/4" (83)	15" (381)
12"	13" (330)	34 7/8" (886)	4" (102)	18" (457)
14"	15" (381)	40 5/8" (1032)	4 1/2" (114)	21" (533)

**NOTES:** Unit shipped in position 2. Dimensions in parentheses are millimeters (mm).

## SOUND CHART | RM4PLQ (ANTI-SMUDGE)

AIRFLOW VS. NC LEVEL (NO DAMPER)



# RM2PLQ, RM4PLQ

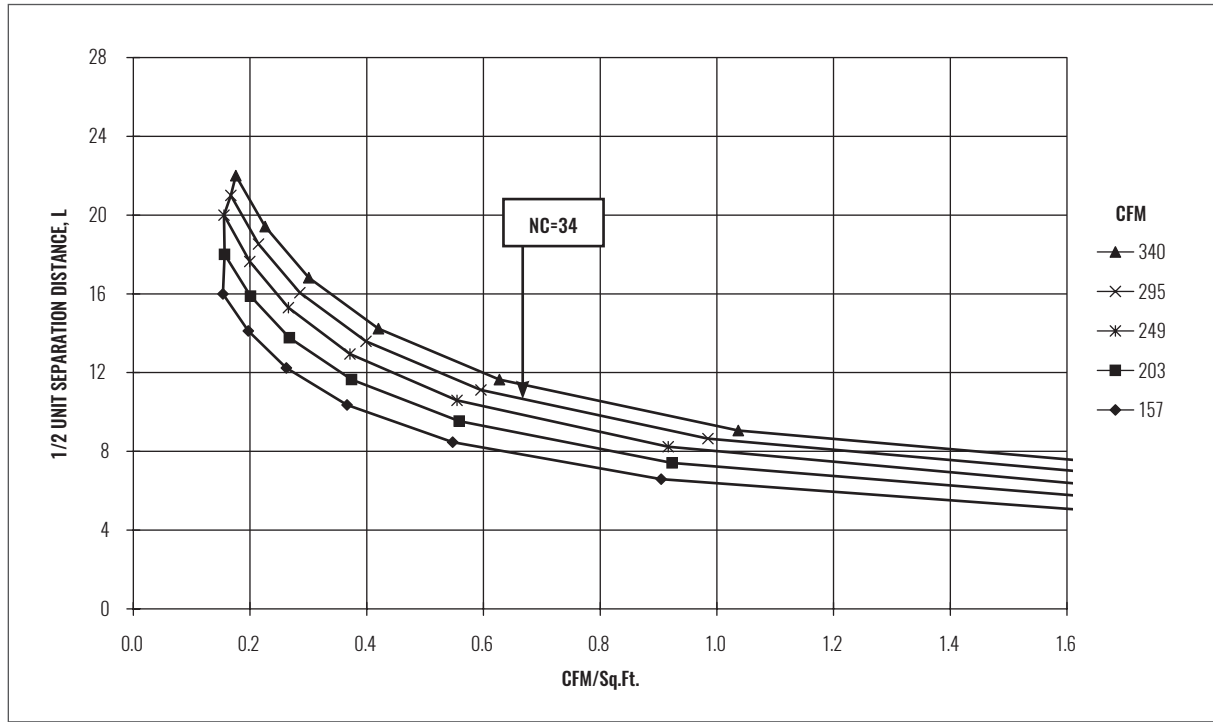
Round Diffusers, Center Plaque



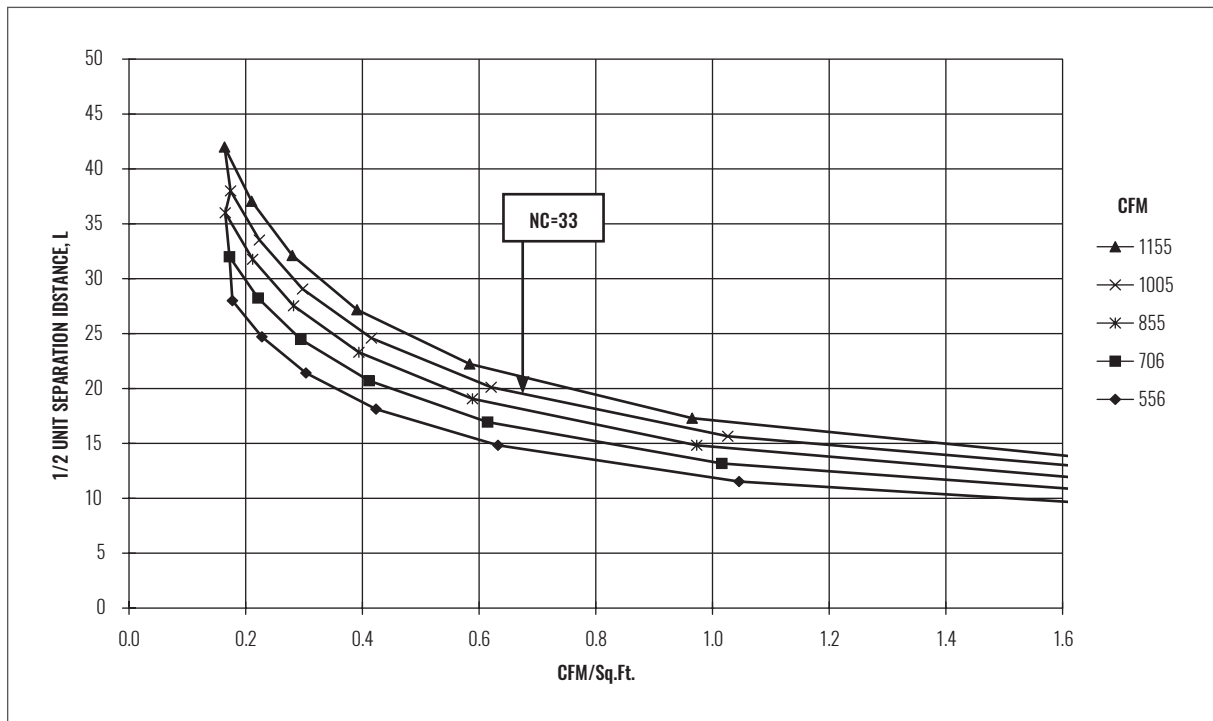
DIFFUSERS | ROUND

## ADPI CHARTS | HORIZONTAL THROW

### UNIT SPACING FOR 80% ADPI (6" NECK, NO DAMPER)



### UNIT SPACING FOR 80% ADPI (14" NECK, NO DAMPER)



**NOTES:** Charts are at 20 BTUH/ft<sup>2</sup> loads. See the Engineering section of this catalog for instructions on how to read these charts and additional ADPI information.