

INTRODUCTION

The 91310 series maximum security grille features a perforated face plate that makes finger penetration difficult in areas that need a secure environment and 100% stainless steel construction. The 46% free area perforation provides minimum pressure loss, making the 91310 an ideal choice for secure areas that require large amounts of supply or return air.

MODEL

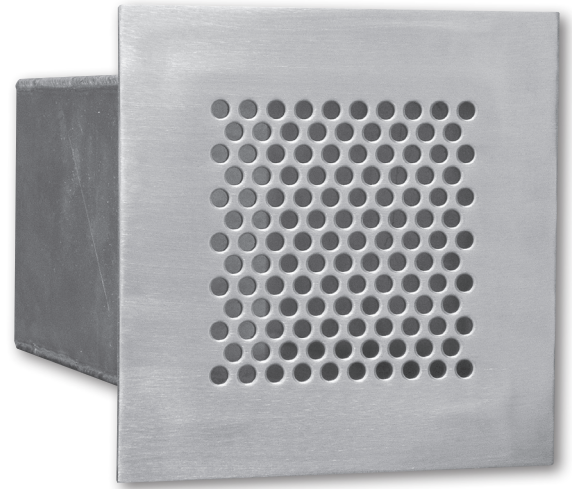
91310 - Maximum Security Grille

FEATURES

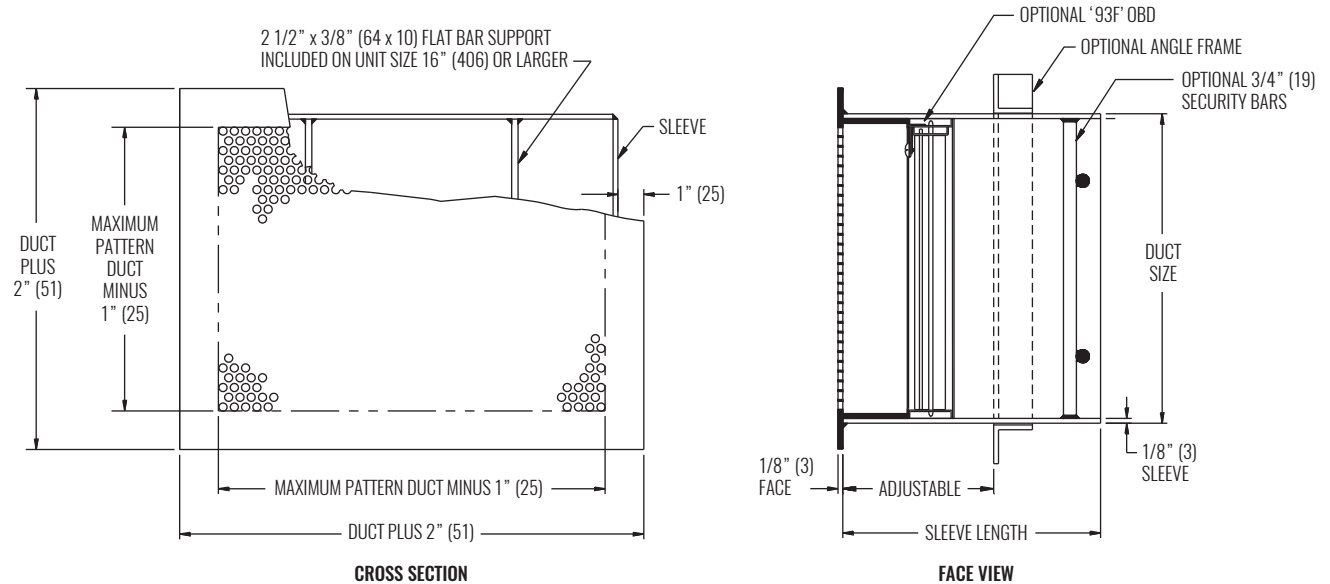
- 10 Gage perforated face and 5/16" holes on 7/16" staggered centers
- 10 Gage stitch welded sleeve
- 304 Stainless steel construction (316 optional)
- Standard finish is 90 - #4 Satin Polish

ACCESSORIES

- Angle frame, shipped loose
- Security bars on 6" centers
- Anchor bars
- Two angles, shipped loose
- Front or rear operated OBD (9OBD)



DIMENSIONAL DATA



NOTE: Dimensions in parentheses are millimeters (mm).