

### INTRODUCTION

The 9180 series curved blade grille features individually, hand adjustable blades and multiple discharge configurations. Blade settings can be adjusted to increase or decrease the throw characteristics. These grilles are an excellent choice for residential and commercial buildings where different throw characteristics are needed for the same sized grille.

### MODEL

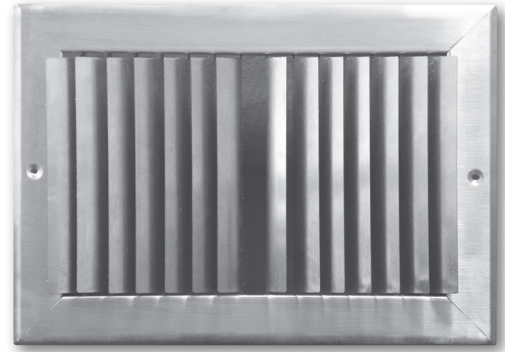
**9180** - Curved blade supply grille

### FEATURES

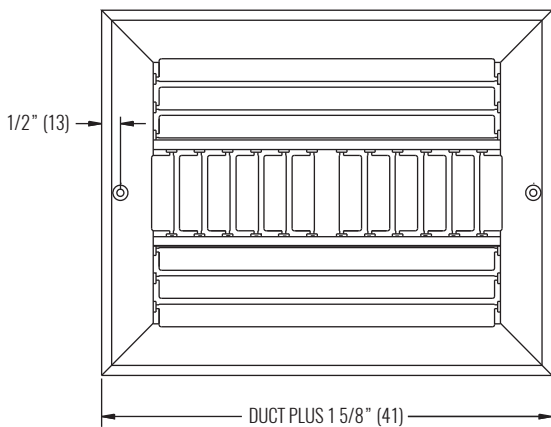
- 304 stainless steel construction (316 optional)
- 1, 2, 3, and 4-way deflection
- Adjustable blades
- Countersunk screw holes in mounting frame
- Standard finish is 90 - #4 Satin Polish or 44 - British White

### ACCESSORIES

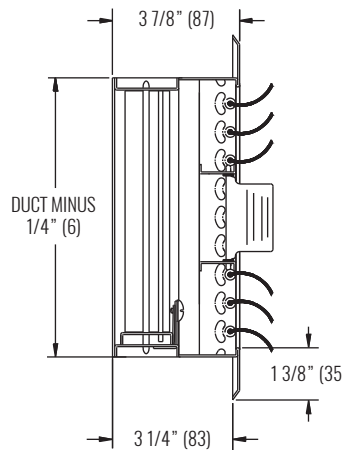
- Stainless steel OBD welded to unit, adjustable from face of grille (model 9OBD)
- Plaster frame (model 98PF)
- Square to round adapter (model 9SRA)



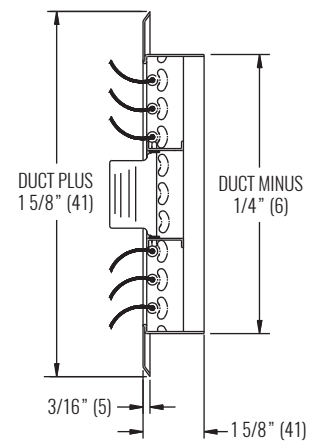
### DIMENSIONAL DATA



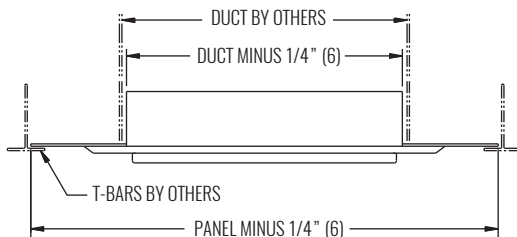
FACE VIEW, FRAME 22 SURFACE MOUNT



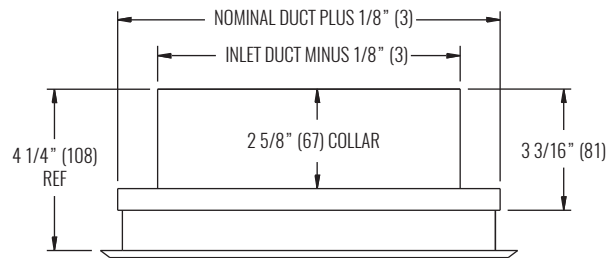
SIDE VIEW, FRAME 22 SURFACE MOUNT  
9OBD SHOWN



SIDE VIEW, FRAME 22 SURFACE MOUNT  
WITHOUT DAMPER



SIDE VIEW, FRAME 23 LAY-IN T-BAR



SIDE VIEW, SQUARE TO ROUND ADAPTER  
MODEL 9SRA

**NOTE:** D imensions in parentheses are millimeters (mm).