

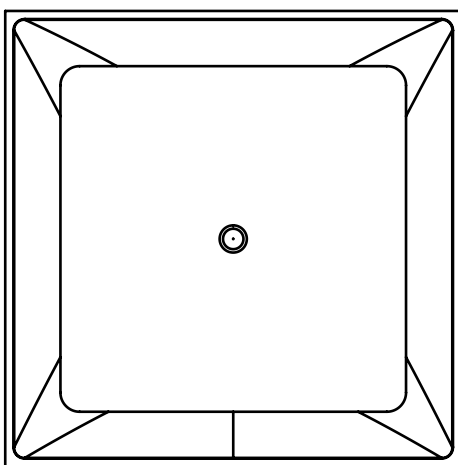
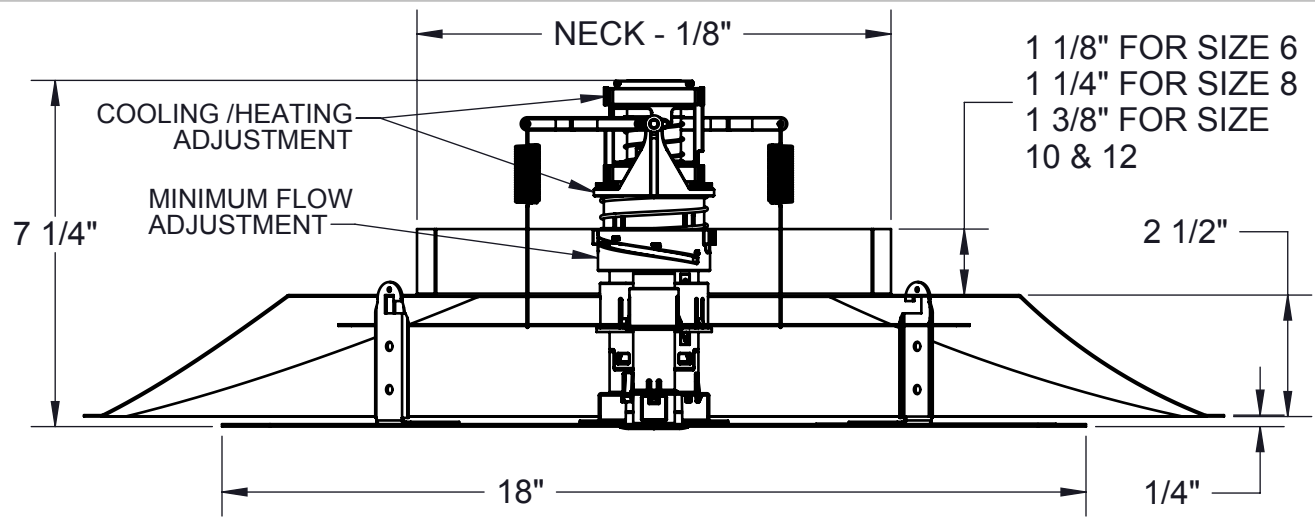
SUBMITTAL SHEET

Form Number DS0820 Effective Date 7/07
Replaces NEW

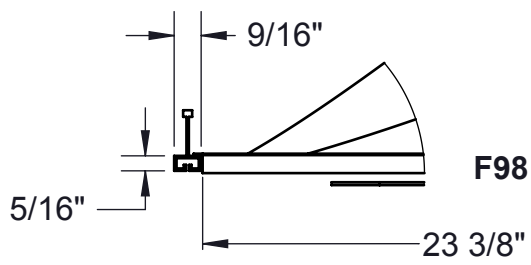
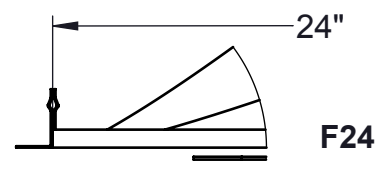
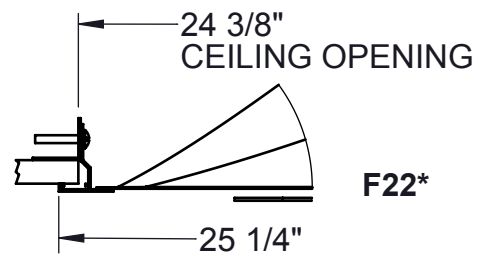
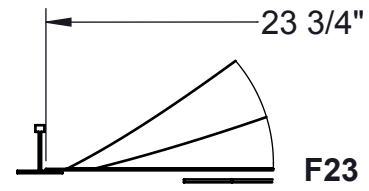
JOB NAME _____
ARCHITECT _____
ENGINEER _____
CONTRACTOR _____
LOCATION _____



VPQ-4
THERMAL VARIABLE VOLUME DIFFUSER



Face View



F22:
A separate 5HCF23 (as shown)
ships with F22

Available colors:
#44 white

Notes:
Relief Rings require submittal DS0825

Dimensions in inches