

**SUBMITTAL SHEET**

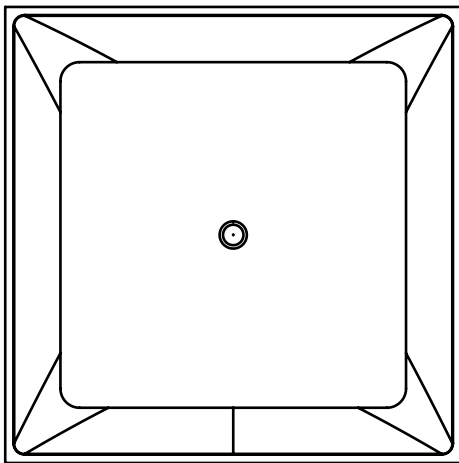
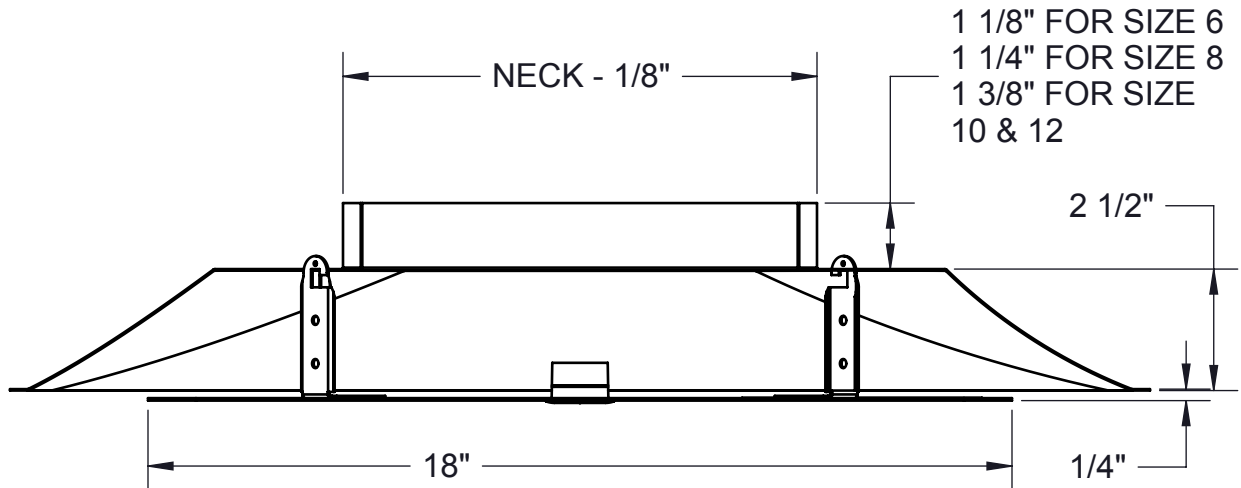
Form Number DS0821 Effective Date 7/07  
Replaces NEW

JOB NAME \_\_\_\_\_  
ARCHITECT \_\_\_\_\_  
ENGINEER \_\_\_\_\_  
CONTRACTOR \_\_\_\_\_  
LOCATION \_\_\_\_\_

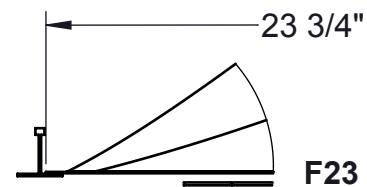


Powered by: RICKARD

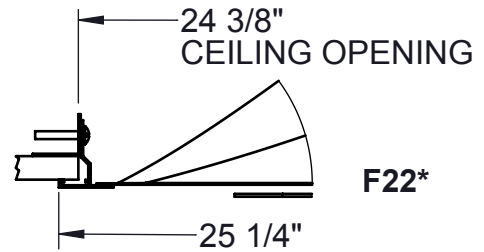
**VPQ-0**  
**CONSTANT VOLUME DIFFUSER**



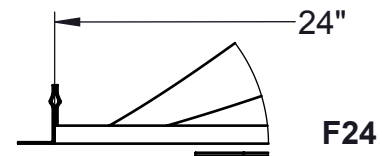
Face View



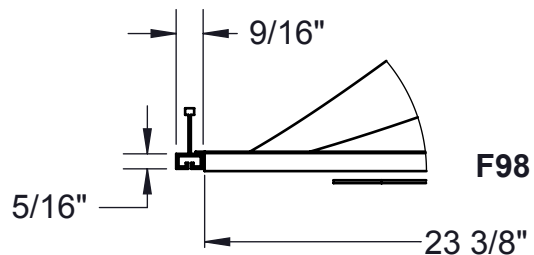
F23



F22\*



F24



F98

**F22:**  
A separate 5HCF23 (as shown)  
ships with F22

**Available colors:**  
#44 white

**Notes:**  
Relief Rings require submittal DS0825

Dimensions in inches