



CRNLP

Introduction: CRNLP, 5CRNLP

This concentric ring nozzle is designed for lay-in T-bar applications where integration into standard ceiling grid is necessary. The high capacity concentric ring nozzle provides a concentrated jet of air. With up to 60° of axial adjustment and 360° of rotation for a variety of directional control settings.

MODELS

- CRNLP - Steel Concentric Ring Nozzle, Lay-in T-Bar
- 5CRNLP - Aluminum Concentric Ring Nozzle, Lay-in T-Bar

FEATURES

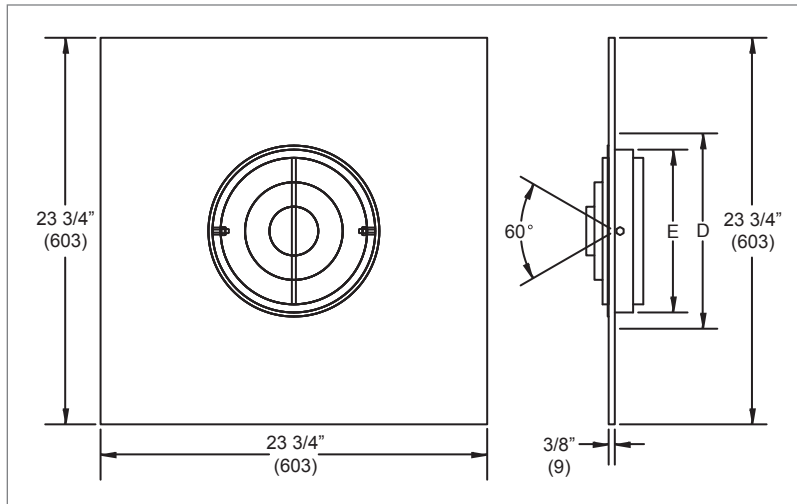
- Steel or aluminum construction.
- Directional air pattern control.
(60° Axial adjustment with 360° of rotation.)
- Lay-in T-Bar, 24"x24" panel.

FINISHES

- Standard finish is #44 British White or #81 Clear Anodized.
- Optional finishes available.

RPNLP Dimensional Information

RPNLP, FACE AND SIDE VIEWS



RPNLP, DIMENSIONAL DETAILS

Nominal Size *	Element Size E	Number of Rings	Duct Size D
6	6" (152)	3	8" (203)
8	8" (203)	3	10" (254)
10	10" (254)	3	12" (305)
12	12" (305)	3	14" (356)
14	14" (356)	4	16" (406)

NOTES: Dimensions in parentheses are mm and rounded to the nearest 1/16".

*The nominal size is 2" (51) smaller than the duct size to which it mounts. Example: A size 10 mounts on a 12" (305) duct.