



CRNRD (Face & Side View)

**Introduction: CRNRD, 5CRNRD**

Designed to fit cleanly over the end of spiral or round duct work, this high capacity concentric ring nozzle diffuser provides a concentrated jet of air, which can be adjusted up to 60° of axial adjustment with 360° of rotation for a variety of directional control settings. The mounting style makes this a great nozzle to use in exposed duct applications.

**MODELS**

- CRNRD - Steel Concentric Ring Nozzle, Round Duct Adaptor
- 5CRNRD - Aluminum Concentric Ring Nozzle, Round Duct Adaptor

**FEATURES**

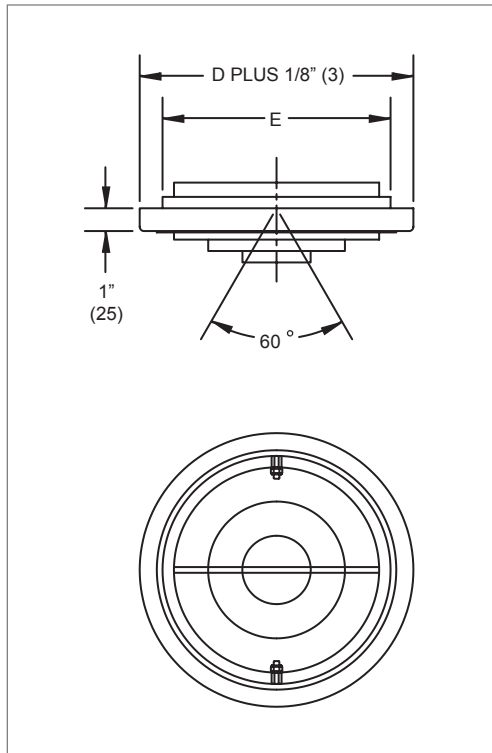
- Steel or aluminum construction.
- Directional air pattern control. (60° Axial adjustment with 360° of rotation.)
- For use in duct mount applications.

**FINISHES**

- Standard finish is #44 British White.
- Optional finishes available.

**CRNRD, 5CRNRD Dimensional Information**

**CRNRD, 5CRNRD, FACE AND SIDE VIEWS**



**CRNRD, 5CRNRD, DIMENSIONAL DETAILS**

Nominal Size *	Element Size E	Number of Rings	Duct Size D
4	4" (102)	3	6" (152)
5	5" (127)	3	6" (152)
6	6" (152)	3	8" (203)
8	8" (203)	3	10" (254)
10	10" (254)	3	12" (305)
12	12" (305)	3	14" (356)
14	14" (356)	4	16" (406)
16	16" (406)	4	18" (457)
18	18" (457)	4	20" (508)
20	20" (508)	5	22" (559)
22	22" (559)	5	24" (610)
24	24" (610)	5	26" (660)

NOTES: Dimensions in parentheses are mm and rounded to the nearest 1/16".

\* The nominal size is 2" (51) smaller than the duct size to which it mounts.

Example: A size 10 mounts on a 12" (305) duct.