

Introduction: REGC5

Designed for surface mount applications, this round architectural return or non-adjustable supply grille provides aesthetically appeal and are well suited for architectural, commercial and industrial applications.

MODEL

REGC5 - Aluminum, Round Egg-Crate, Round Duct Adaptor

FEATURES

- Aluminum construction.
- Round 1/2"x1/2"x1/2" egg-crate grille.
- For use in surface mount applications.
- Flex duct mounting frame available.
- Concealed mounting system standard.

FINISHES

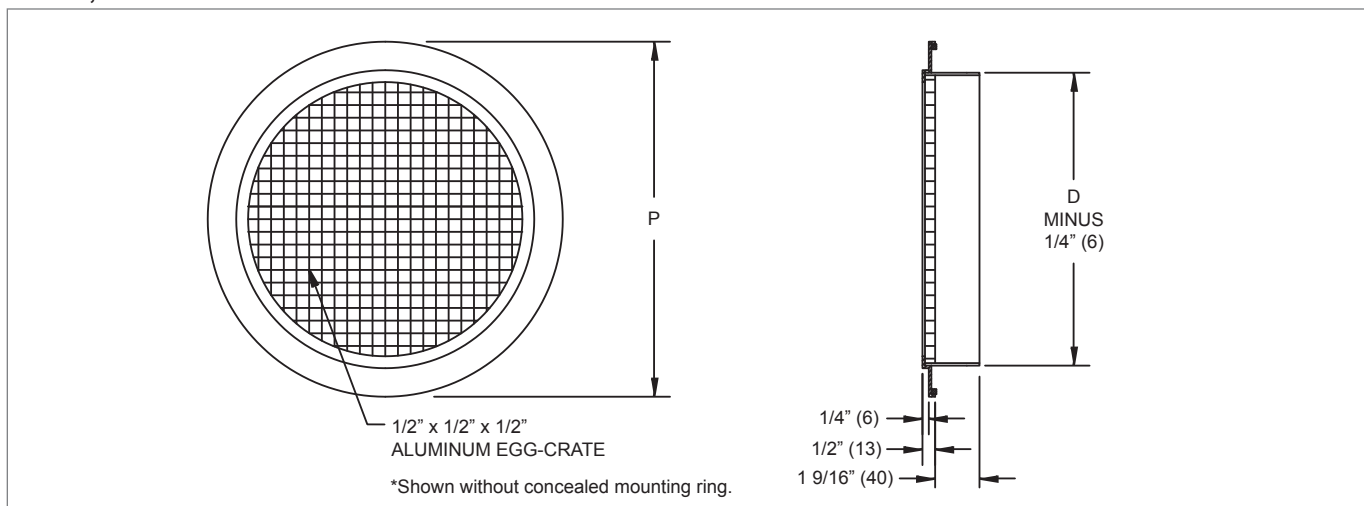
- Standard finish is #70 Silver Metallic.
- Optional finishes available.



REGC5 (Face & Side View)

REGC5 Dimensional Information

REGC5, FACE AND SIDE VIEWS



REGC5, DIMENSIONAL DETAILS

| Nominal Size | Duct D | P |
|--------------|-----------|---------------|
| 6 | 6" (152) | 8 1/4" (210) |
| 8 | 8" (203) | 10 1/4" (260) |
| 10 | 10" (254) | 12 1/4" (311) |
| 12 | 12" (305) | 14 1/4" (362) |
| 14 | 14" (356) | 16 1/4" (413) |
| 16 | 16" (406) | 18 1/4" (464) |
| 18 | 18" (457) | 20 1/4" (514) |
| 20 | 20" (508) | 22 1/4" (565) |
| 22 | 22" (559) | 24 1/4" (616) |
| 24 | 24" (610) | 26 1/4" (667) |
| 30 | 30" (762) | 32 1/4" (819) |

NOTE: Dimensions in parentheses are mm.