



REGC5RD (Face & Side View)

**Introduction: REGC5RD**

Designed to fit cleanly over the end of spiral or round duct work, this round architectural return or non-adjustable supply grille with an integrated round duct adaptor works great in exposed duct applications.

**MODEL**

REGC5RD - Aluminum, Round Egg-Crate, Round Duct Reducer

**FEATURES**

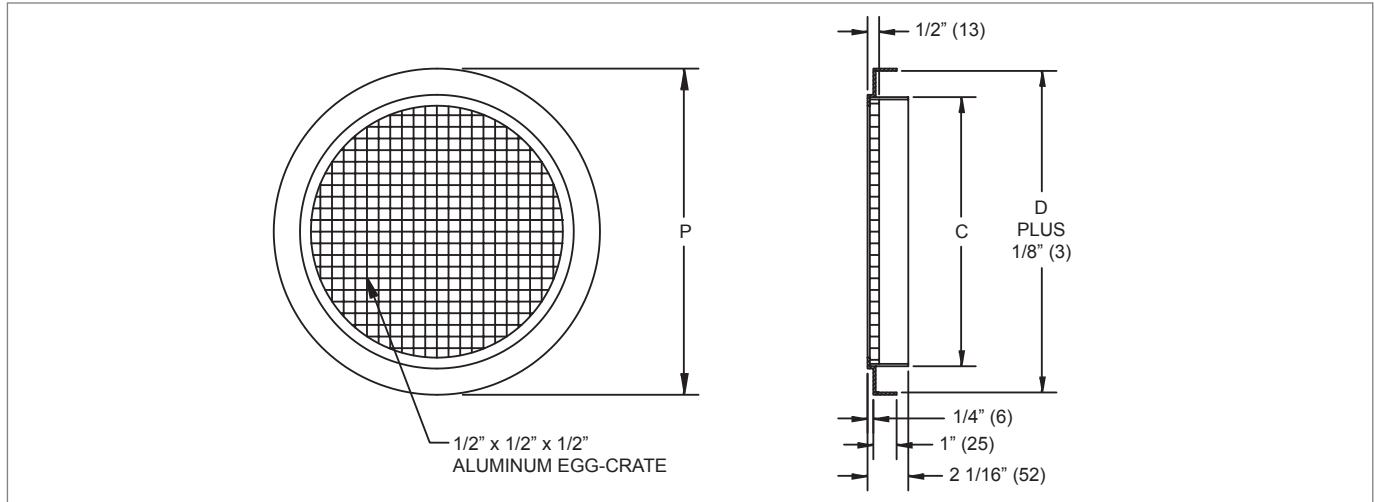
- Aluminum construction.
- Round 1/2"x1/2"x1/2" egg-crate grille.
- For use in exposed duct mount applications.
- Frame slides cleanly over end of exposed duct.

**FINISHES**

- Standard finish is #70 Silver Metallic.
- Optional finishes available.

**REGC5RD Dimensional Information**

**REGC5RD, FACE AND SIDE VIEWS**



**REGC5RD, DIMENSIONAL DETAILS**

Nominal Size *	Core Size C	Duct D	P
6	5 5/8" (143)	8" (203)	8 1/4" (210)
8	7 5/8" (194)	10" (254)	10 1/4" (260)
10	9 5/8" (244)	12" (305)	12 1/4" (311)
12	11 5/8" (295)	14" (356)	14 1/4" (362)
14	13 5/8" (346)	16" (406)	16 1/4" (413)
16	15 5/8" (397)	18" (457)	18 1/4" (464)
18	17 5/8" (448)	20" (508)	20 1/4" (514)
20	19 5/8" (498)	22" (559)	22 1/4" (565)
22	21 5/8" (549)	24" (610)	24 1/4" (616)
24	23 5/8" (600)	26" (660)	26 1/4" (667)
30	29 5/8" (752)	32" (813)	32 1/4" (819)

NOTES: Dimensions in parentheses are mm.

\* The nominal size is 2" (51) smaller than the duct size to which it mounts. Example: A size 10 mounts on a 12" (305) duct.