

Introduction: REGC5RR

The architectural round return or non-adjustable supply grilles with an integrated round duct reducer are designed to fit cleanly inside the end of spiral or round duct runs, which makes it a great choice for exposed duct applications.

MODEL

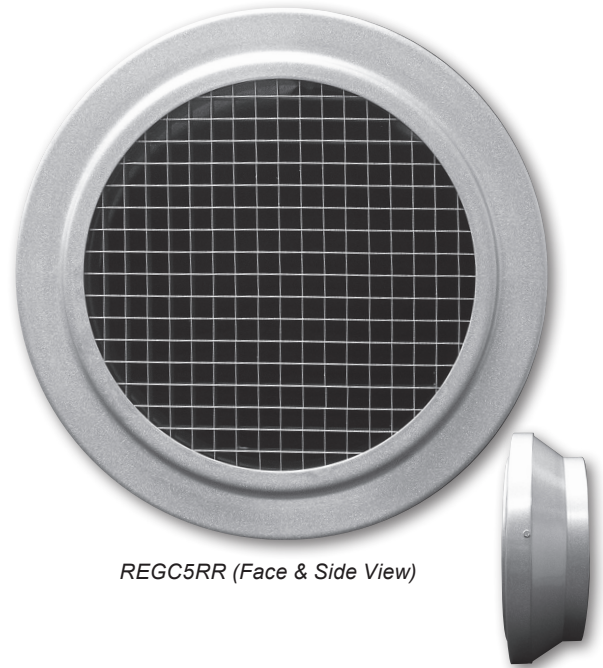
REGC5RR - Aluminum, Round Egg-Crate, Round Duct Adaptor

FEATURES

- Aluminum construction.
- Round 1/2"x1/2"x1/2" egg-crate grille.
- For use in exposed duct mount applications.
- Frame slides cleanly into end of exposed duct.

FINISHES

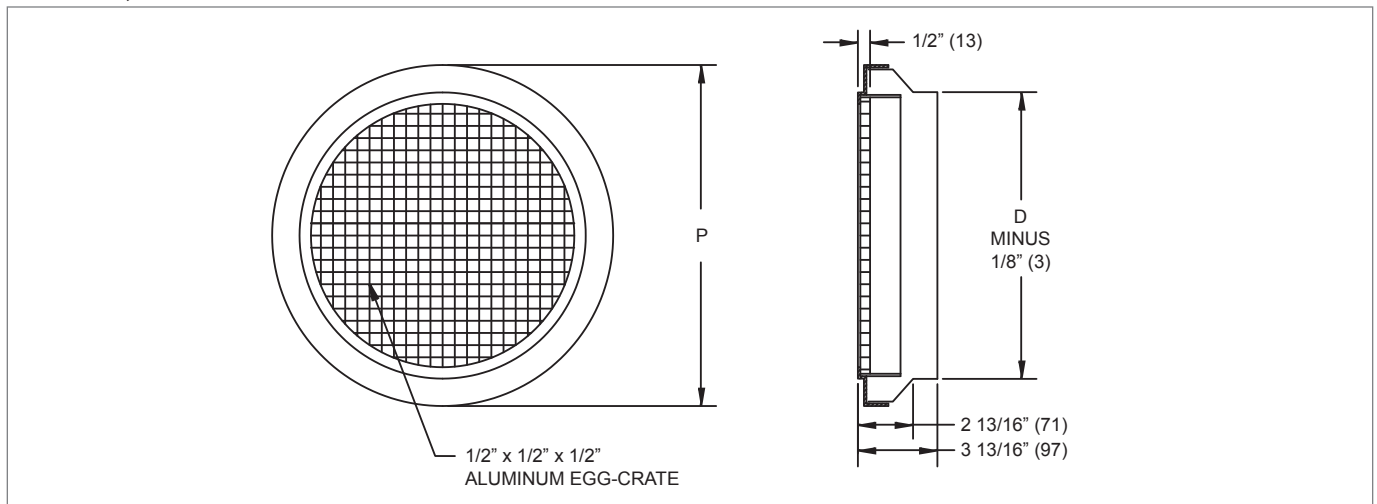
- Standard finish is #70 Silver Metallic.
- Optional finishes available.



REGC5RR (Face & Side View)

REGC5RR Dimensional Information

REGC5RR, FACE AND SIDE VIEWS



REGC5RR, DIMENSIONAL DETAILS

Nominal Size	Duct D	P
6	6" (152)	8 1/4" (210)
8	8" (203)	10 1/4" (260)
10	10" (254)	12 1/4" (311)
12	12" (305)	14 1/4" (362)
14	14" (356)	16 1/4" (413)
16	16" (406)	18 1/4" (464)
18	18" (457)	20 1/4" (514)
20	20" (508)	22 1/4" (565)
22	22" (559)	24 1/4" (616)
24	24" (610)	26 1/4" (667)

NOTE: Dimensions in parentheses are mm.