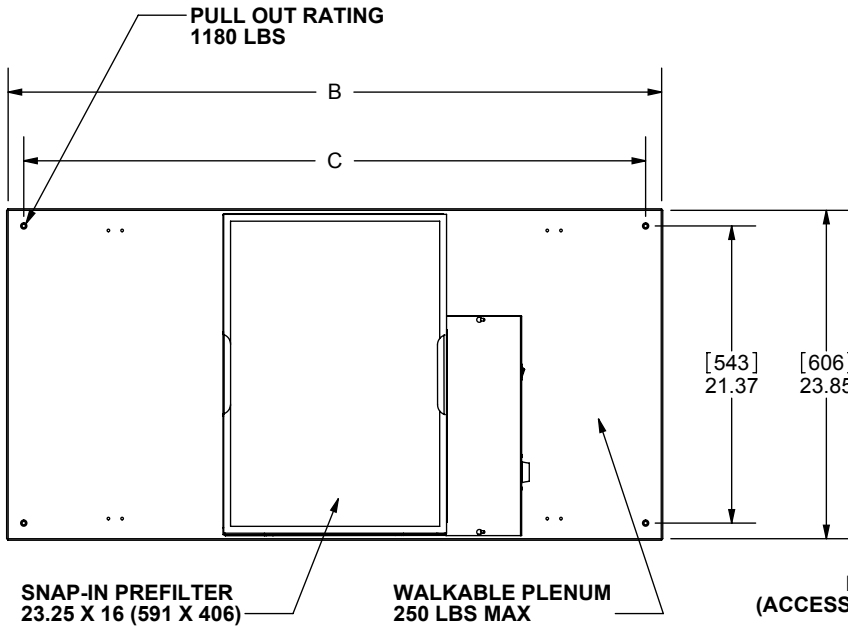
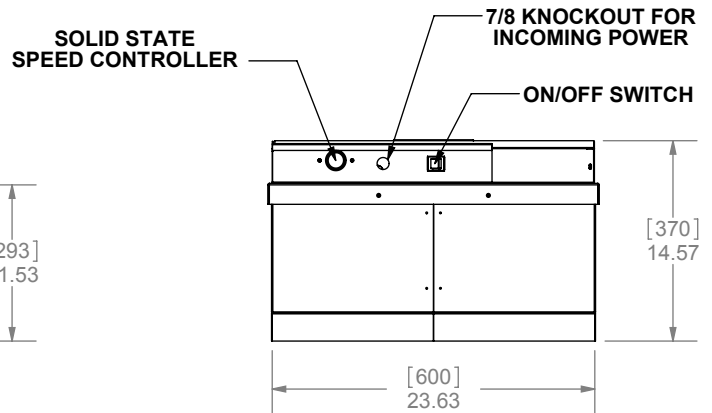
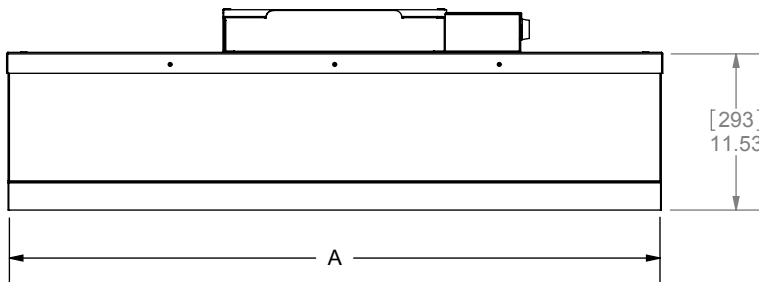
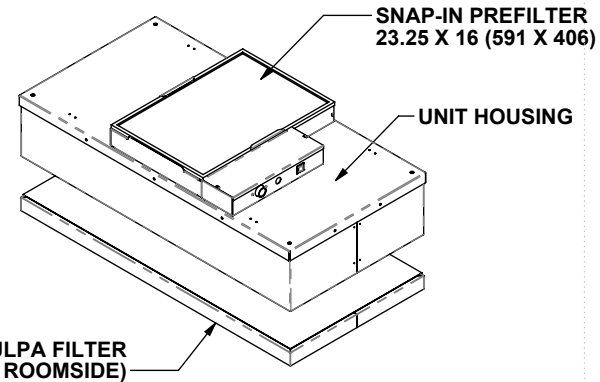


SUBMITTAL SHEET



PANEL SIZE	A	B	C	WEIGHT LB (kg)
24 X 24	23.63 (600)	23.85 (606)	21.37 (543)	44 (20)
24 X 48	47.63 (1210)	47.85 (1215)	45.37 (1152)	71 (32)


Features:

- Snap-In Prefilter
- Forward Inclined Centrifugal Fan
- Lay-in Frame (Surface mount requires Accessory 4 option selected)
- Meets UL507, UL900, IEST Recommended Practices
- ARS allows for roomside removable filter
- ARSM allows for roomside removable motor and filter

Available Parts (Ordered Separately):

- Round Duct Collar 10" (p/n:10691) or 12" (p/n:10789)
- 115V Power Cord (p/n:S24344-001) (non-UL)
- Replacement Prefilter (p/n:62981)

Options:

- **PSC Motor w/ SSSC**
 - 115V (3.0 FLA)
 - 208-240V (1.5 FLA)
 - 277V (1.2 FLA)
- **Filter**
 - HEPA 99.99% @ 0.3 Micron UL900
 - ULPA 99.9995% @ 0.12 Micron UL900
 - Replaceable / Accessible from room side
- **Accessories**
 - Filter Indicator Light (red)
 - Run Indicator Light (green)
 - Continuous Filter Monitor
 - Filter Ships Loose
 - Insulation
 - Surface Mount Frame
- **Finish**
 - 01 Mill Aluminum Casing with White Diffuser Screen
 - 44 White Aluminum Casing with White Diffuser Screen
 - 90 304 SS Casing with 304 SS Diffuser Screen
 - 91 Mill Aluminum Casing with 304 SS Diffuser Screen