

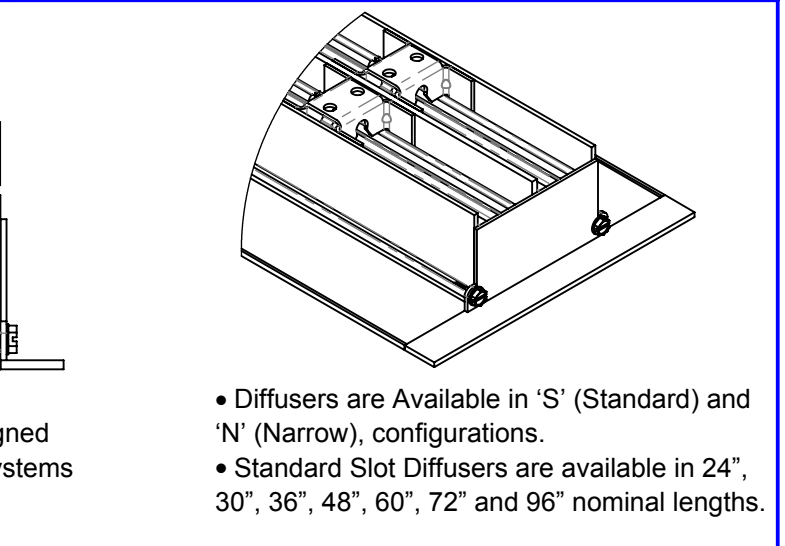
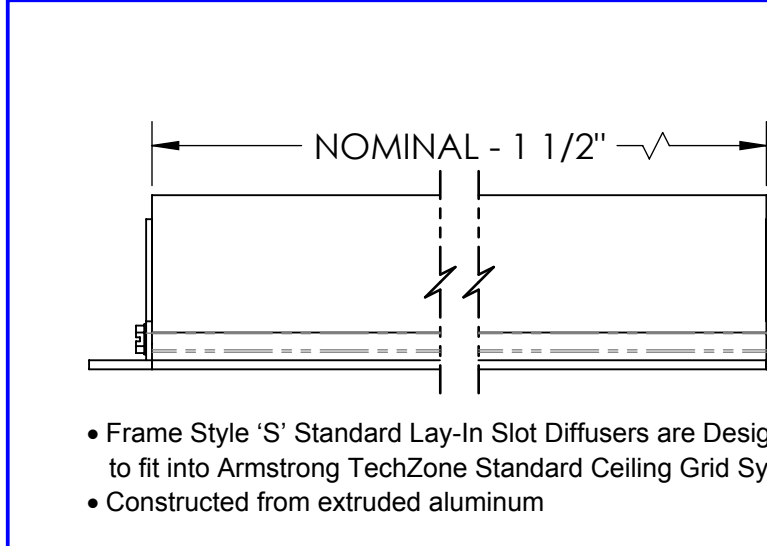
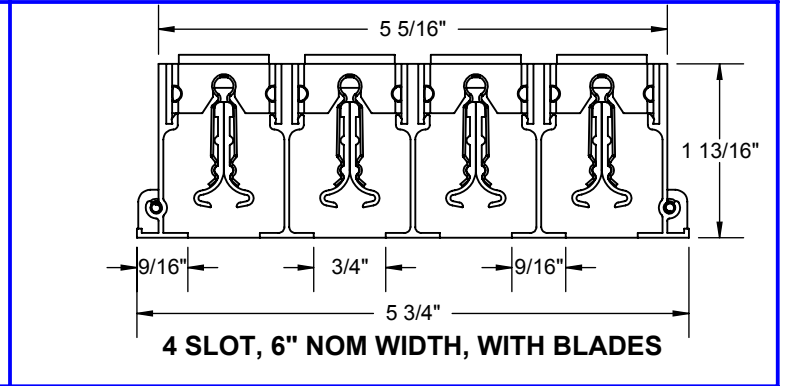
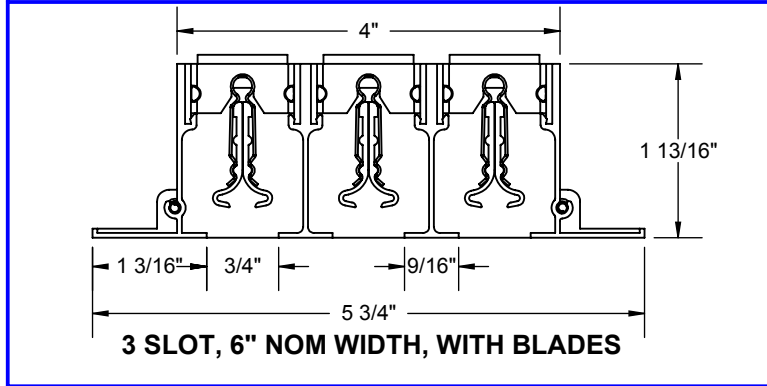
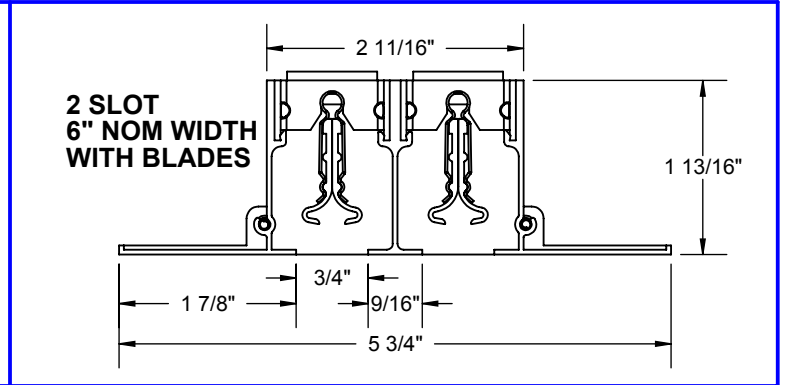
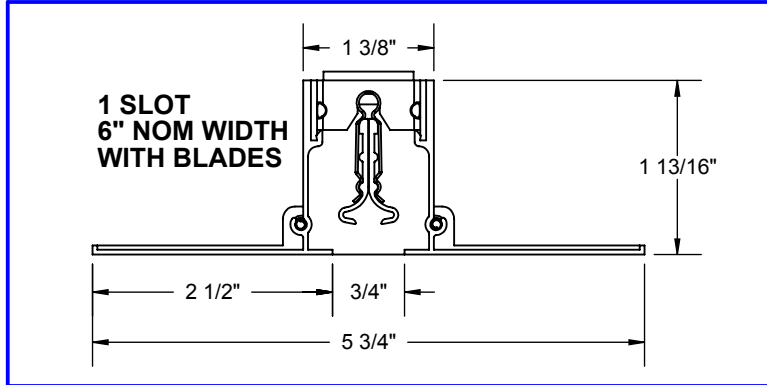
## 1900 SERIES LINEAR SLOT DIFFUSER

Frame Style 'S'

TechZone Standard Lay-In

JOB NAME \_\_\_\_\_  
 ENGINEER \_\_\_\_\_  
 CONTRACTOR \_\_\_\_\_  
 TAG \_\_\_\_\_

## SUBMITTAL SHEET



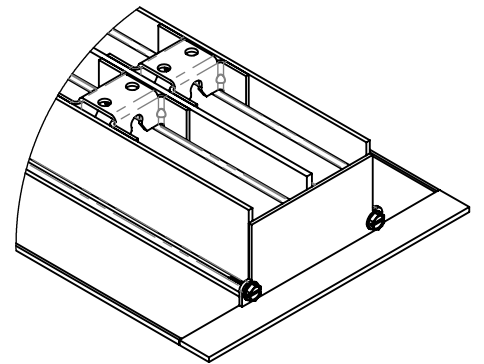
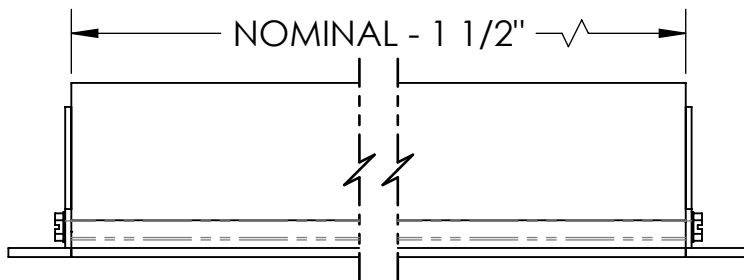
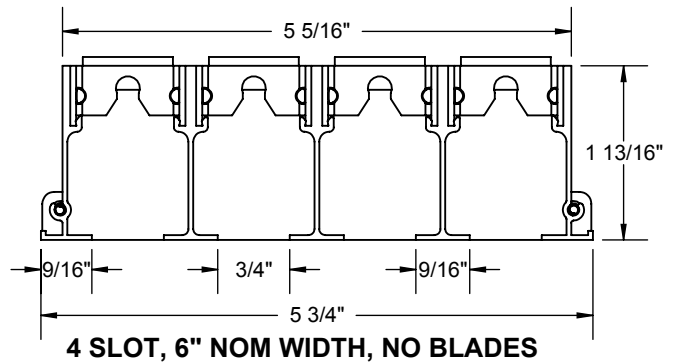
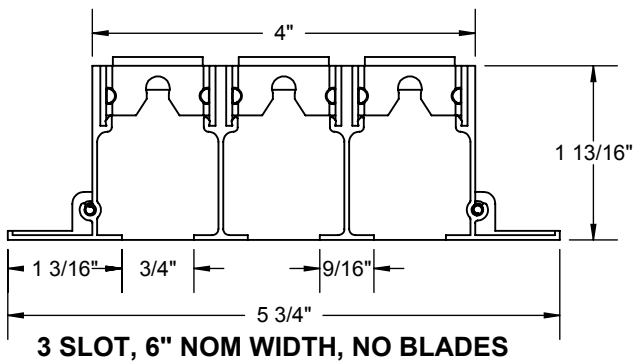
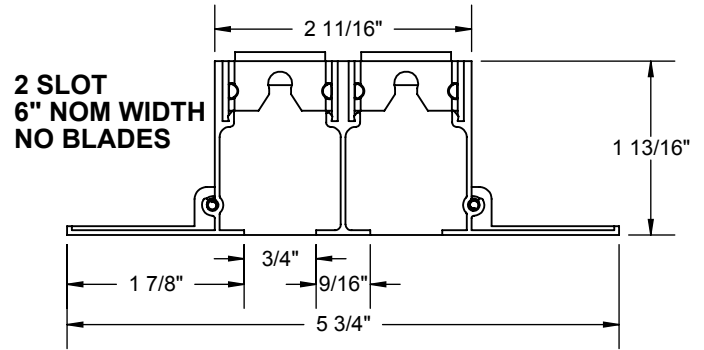
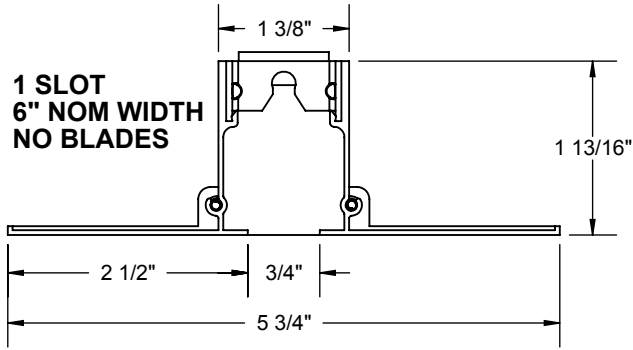
## 1900 SERIES LINEAR SLOT DIFFUSER

Frame Style 'S'

TechZone Standard Lay-In

JOB NAME \_\_\_\_\_  
 ENGINEER \_\_\_\_\_  
 CONTRACTOR \_\_\_\_\_  
 TAG \_\_\_\_\_

## SUBMITTAL SHEET



- Frame Style 'S' Standard Lay-In Slot Diffusers are Designed to fit into Armstrong TechZone Standard Ceiling Grid Systems
- Constructed from extruded aluminum

- Diffusers are Available in 'S' (Standard) and 'N' (Narrow), configurations.
- Standard Slot Diffusers are available in 24", 30", 36", 48", 60", 72" and 96" nominal lengths.