

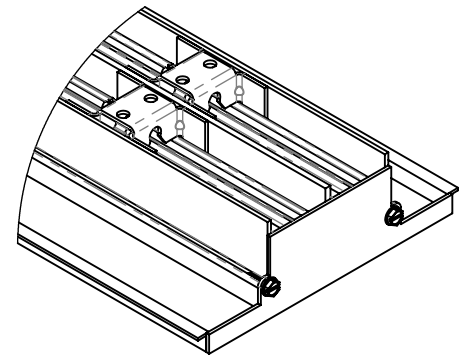
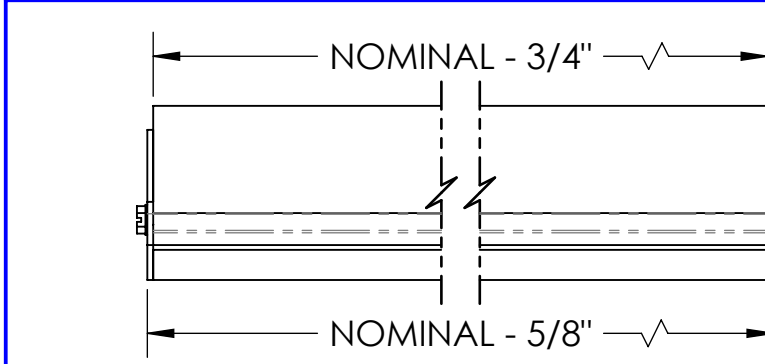
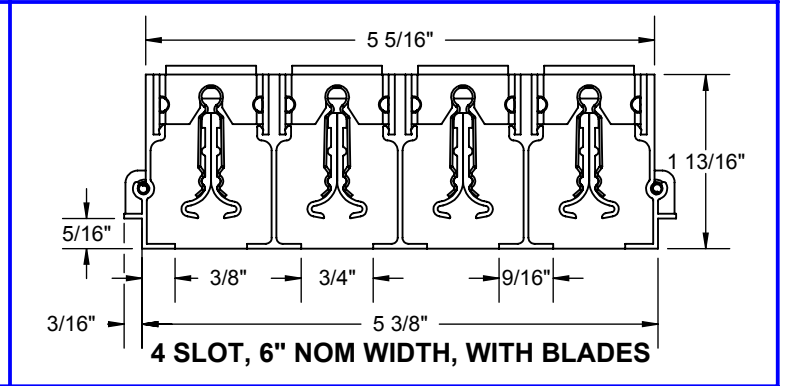
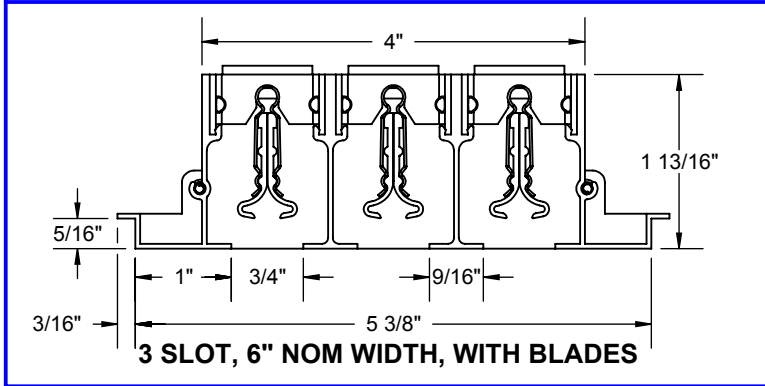
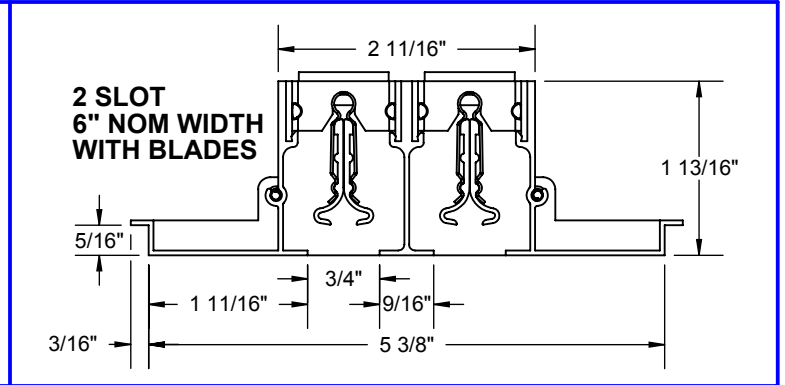
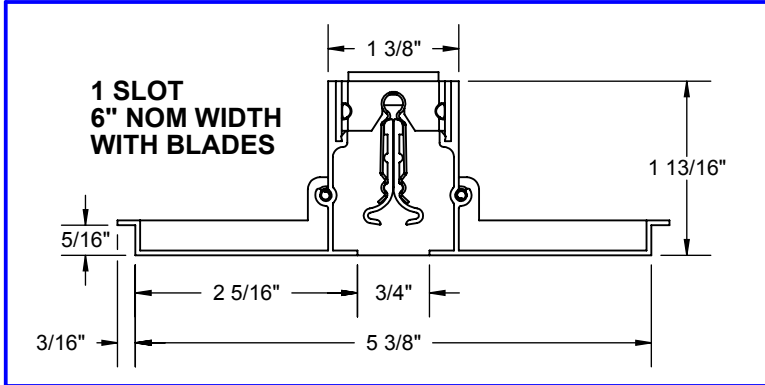
1900 SERIES LINEAR SLOT DIFFUSER

Frame Style 'N'

TechZone Narrow-Tee

JOB NAME _____
 ENGINEER _____
 CONTRACTOR _____
 TAG _____

SUBMITTAL SHEET



- Frame Style 'N' Standard Lay-In Slot Diffusers are Designed to fit into Armstrong TechZone Standard Ceiling Grid Systems
- Constructed from extruded aluminum

- Diffusers are Available in 'S' (Standard) and 'N' (Narrow), configurations.
- Standard Slot Diffusers are available in 24", 30", 36", 48", 60", 72" and 96" nominal lengths.

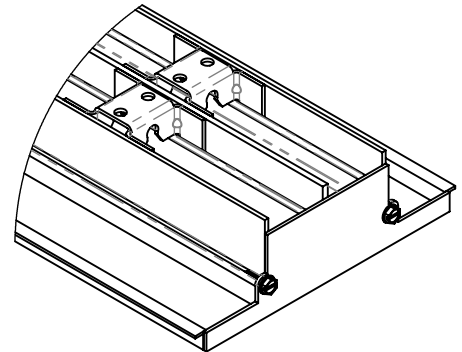
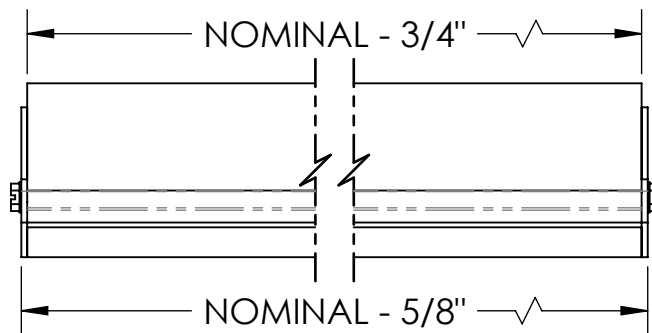
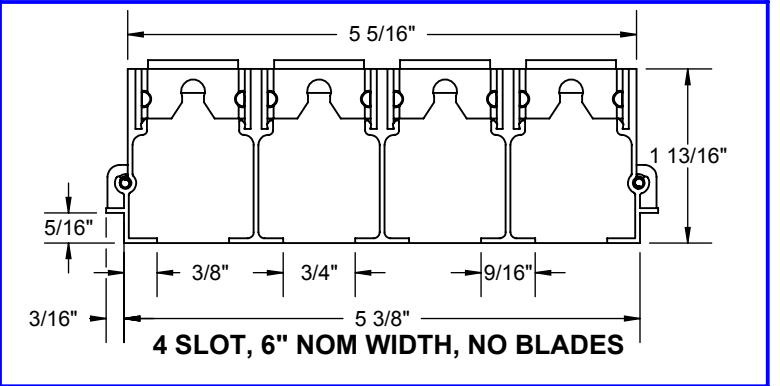
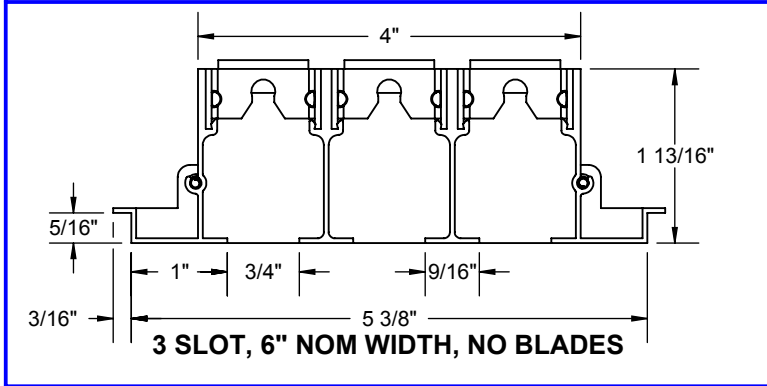
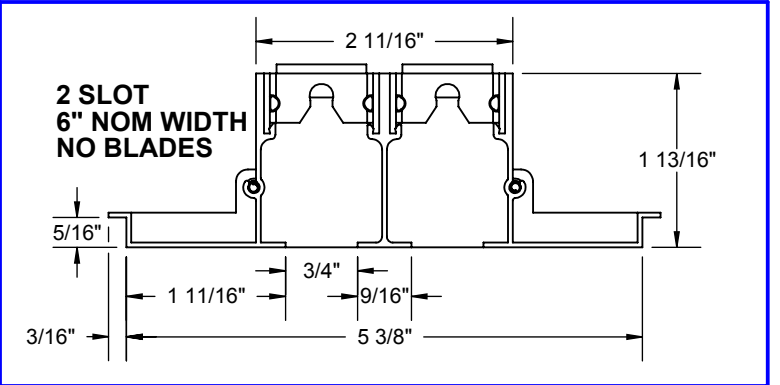
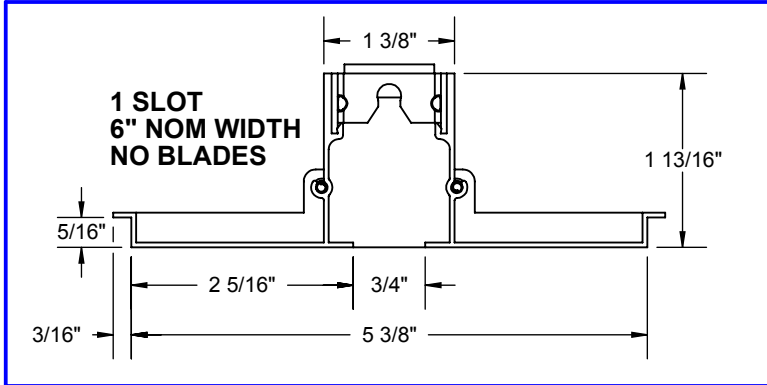
1900 SERIES LINEAR SLOT DIFFUSER

Frame Style 'N'

TechZone Narrow-Tee

JOB NAME _____
 ENGINEER _____
 CONTRACTOR _____
 TAG _____

SUBMITTAL SHEET



- Frame Style 'N' Standard Lay-In Slot Diffusers are Designed to fit into Armstrong TechZone Standard Ceiling Grid Systems
- Constructed from extruded aluminum

- Diffusers are Available in 'S' (Standard) and 'N' (Narrow), configurations.
- Standard Slot Diffusers are available in 24", 30", 36", 48", 60", 72" and 96" nominal lengths.