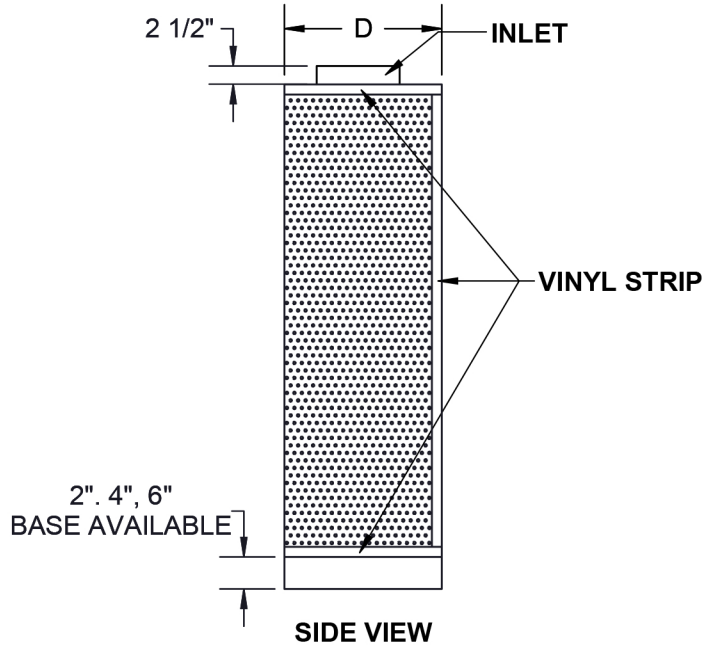
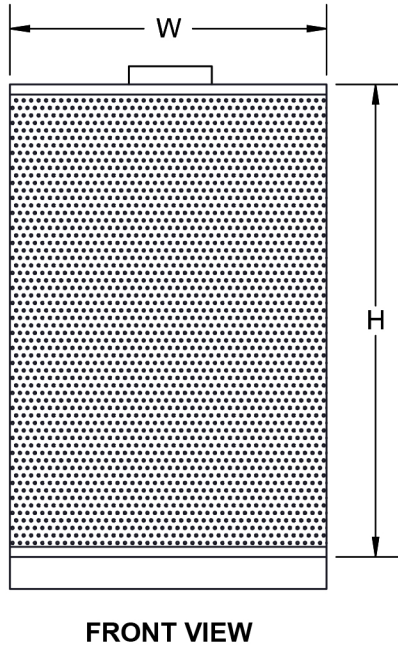
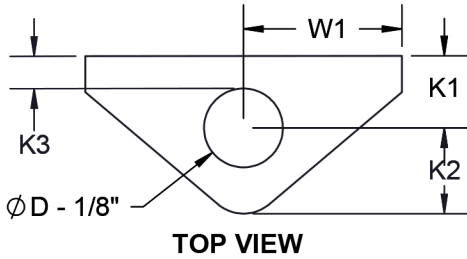


**AFD - DISPLACEMENT VENTILATION**

**DIFFUSER DIMENSIONS**

AFD Size (Nominal WxH)	W	H	D	ØD	W1	K1	K2	K3
16"x24"	15 13/16"	23 5/8"	8 1/16"	4"	7 15/16"	3 5/8"	4 1/2"	1 5/8"
17"x24"	16 7/8"	23 5/8"	8 11/16"	5"	8 7/16"	3 7/8"	4 13/16"	1 7/16"
20"x32"	19 3/8"	31 1/2"	10 1/4"	6"	9 11/16"	4 3/4"	5 1/2"	1 5/8"
21"x24"	20 15/16"	23 5/8"	11 1/4"	8"	10 1/2"	5 1/4"	6"	1 1/4"
21"x48"	20 15/16"	47 1/4"	11 1/4"	8"	10 1/2"	5 1/4"	6"	1 1/4"
24"x32"	24"	31 1/2"	13 1/2"	10"	12"	6 3/4"	6 13/16"	1 3/4"
24"x48"	24"	47 1/4"	13 1/2"	10"	12"	6 3/4"	6 13/16"	1 3/4"
29"x48"	28 1/8"	47 1/4"	16"	12"	14 1/16"	7 7/8"	8"	1 3/4"
29"x71"	28 1/8"	70 7/8"	16"	12"	14 1/16"	7 7/8"	8"	1 3/4"
34"x48"	33 1/4"	47 1/4"	19 5/16"	16"	16 5/8"	9 5/8"	9 3/4"	1 11/16"
34"x71"	33 1/4"	70 7/8"	19 5/16"	16"	16 5/8"	9 5/8"	9 3/4"	1 11/16"
40"x71"	39 3/8"	70 7/8"	23 1/4"	20"	19 11/16"	11 5/8"	11 11/16"	1 3/4"

**STANDARD FEATURES:**

- 20 GA. front panel
- Horizontal low velocity discharge at floor level, suitable for mid-space applications.
- Flow pattern at an angle of 360° enables large airflow rates with low residual velocities in the occupied zone.
- Detachable front plate and removable baffle enables cleaning of the unit and duct work.
- Round duct connection with integral rubber gasket on the or bottom of the diffuser

**OPTIONAL FEATURES:**

- |   |  |   |
|---|--|---|
| <ul style="list-style-type: none"> <li>➤ Installation Base:           <ul style="list-style-type: none"> <li><input type="checkbox"/> None</li> <li><input type="checkbox"/> 2" Base Height</li> <li><input type="checkbox"/> 4" Base Height</li> <li><input type="checkbox"/> 6" Base Height</li> </ul> </li> <li>➤ Trim Strip           <ul style="list-style-type: none"> <li><input type="checkbox"/> White Vinyl      <input type="checkbox"/> Black Vinyl</li> <li><input type="checkbox"/> Metal (Painted to Match)</li> </ul> </li> </ul> | <ul style="list-style-type: none"> <li>➤ Material           <ul style="list-style-type: none"> <li><input type="checkbox"/> Galvanized</li> <li><input type="checkbox"/> Stainless Steel</li> </ul> </li> <li>➤ Front Panel Thickness           <ul style="list-style-type: none"> <li><input type="checkbox"/> 20 GA. Front Panel</li> <li><input type="checkbox"/> 16 GA. Front Panel</li> </ul> </li> </ul> | <ul style="list-style-type: none"> <li>➤ Duct Cover           <ul style="list-style-type: none"> <li><input type="checkbox"/> Perforated<br/>Length _____</li> <li><input type="checkbox"/> Solid<br/>Length _____</li> </ul> </li> <li>➤ Finish<br/>_____</li> </ul> |
|---|--|---|