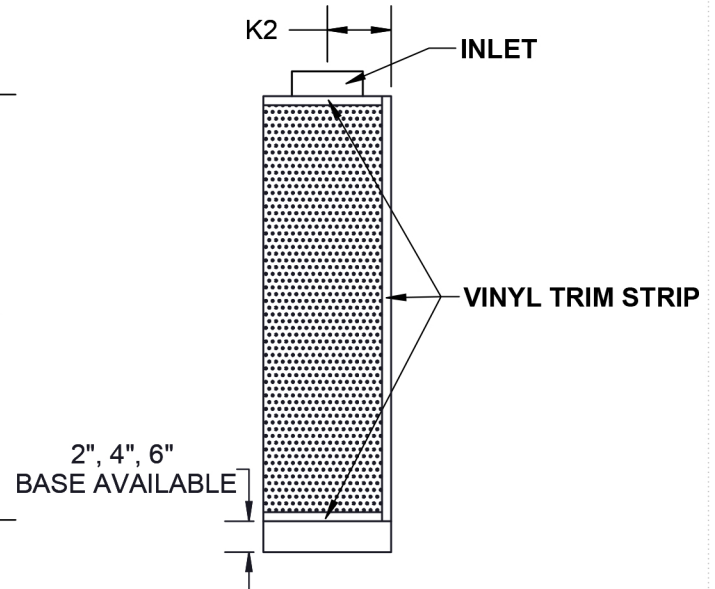
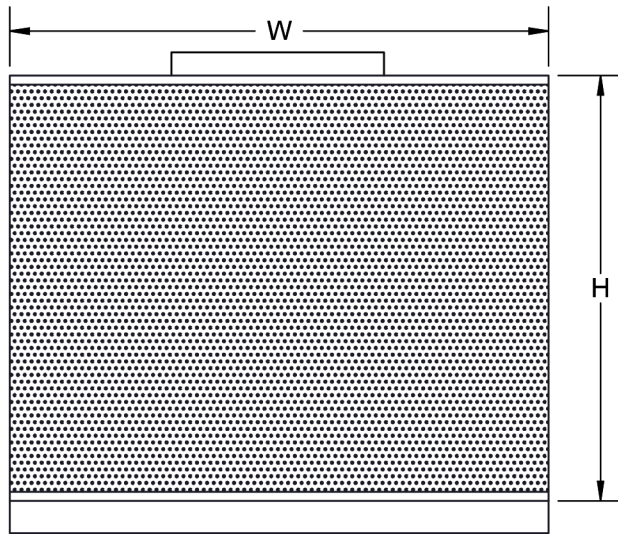
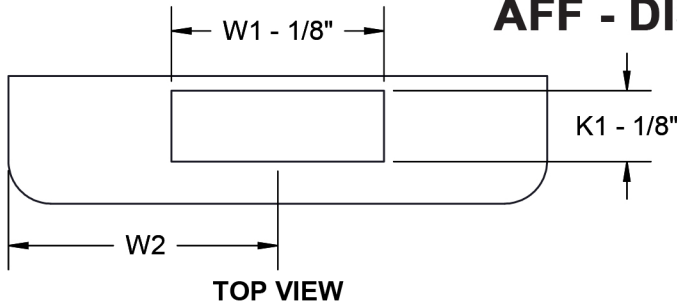


AFF - DISPLACEMENT VENTILATION


DIFFUSER DIMENSIONS							
AFF SIZE	W	H	D	W1	K1	W2	K2
12"x04"	30 3/16"	23 13/16"	7 3/8"	12" 4"	14 3/4"	2 13/16"	
12"x04"	30 3/16"	47 7/16"	7 3/8"	12" 4"	14 3/4"	2 13/16"	
24"x04"	38 1/16"	31 11/16"	7 3/8"	24" 4"	18 11/16"	2 13/16"	
24"x04"	38 1/16"	47 7/16"	7 3/8"	24" 4"	18 11/16"	2 13/16"	
24"x08"	42"	47 7/16"	11 5/16"	24" 8"	20 11/16"	4 3/4"	
24"x08"	42"	71 1/16"	11 5/16"	24" 8"	20 11/16"	4 3/4"	
32"x10"	47 15/16"	47 7/16"	13 1/4"	32" 10"	23 5/8"	5 11/16"	
32"x10"	47 15/16"	71 1/16"	13 1/4"	32" 10"	23 5/8"	5 11/16"	
40"x12"	59 3/4"	71 1/16"	15 1/4"	40" 12"	29 1/2"	6 11/16"	
40"x20"	71 9/16"	71 1/16"	23 7/8"	40" 20"	35 7/16"	10 5/8"	

STANDARD FEATURES:

- 20 GA front panel.
- Horizontal low velocity discharge at floor level.
- Shallow footprint.
- Large airflow rates with low residual velocities in the occupied zone due to large front plate.
- Detachable front plate and removable baffle enables cleaning of the unit and duct work.
- Rectangular duct connection on top/bottom of the unit.

OPTIONAL FEATURES:

- | | | |
|--|---|---|
| > Installation Base:
<input type="checkbox"/> None
<input type="checkbox"/> 2" Base Height
<input type="checkbox"/> 4" Base Height
<input type="checkbox"/> 6" Base Height | > Material
<input type="checkbox"/> Galvanized
<input type="checkbox"/> Stainless Steel | > Duct Cover
<input type="checkbox"/> Perforated Length _____
<input type="checkbox"/> Solid Length _____ |
| > Trim Strip
<input type="checkbox"/> White Vinyl <input type="checkbox"/> Black Vinyl
<input type="checkbox"/> Metal (Painted to Match) | > Front Panel Thickness
<input type="checkbox"/> 20 GA. Front Panel
<input type="checkbox"/> 16 GA. Front Panel | > Finish
_____ |

 Revision Date: **09/12**

 Form: **AFF_Submittal_01**

 Replaces: **AFF_Submittal**