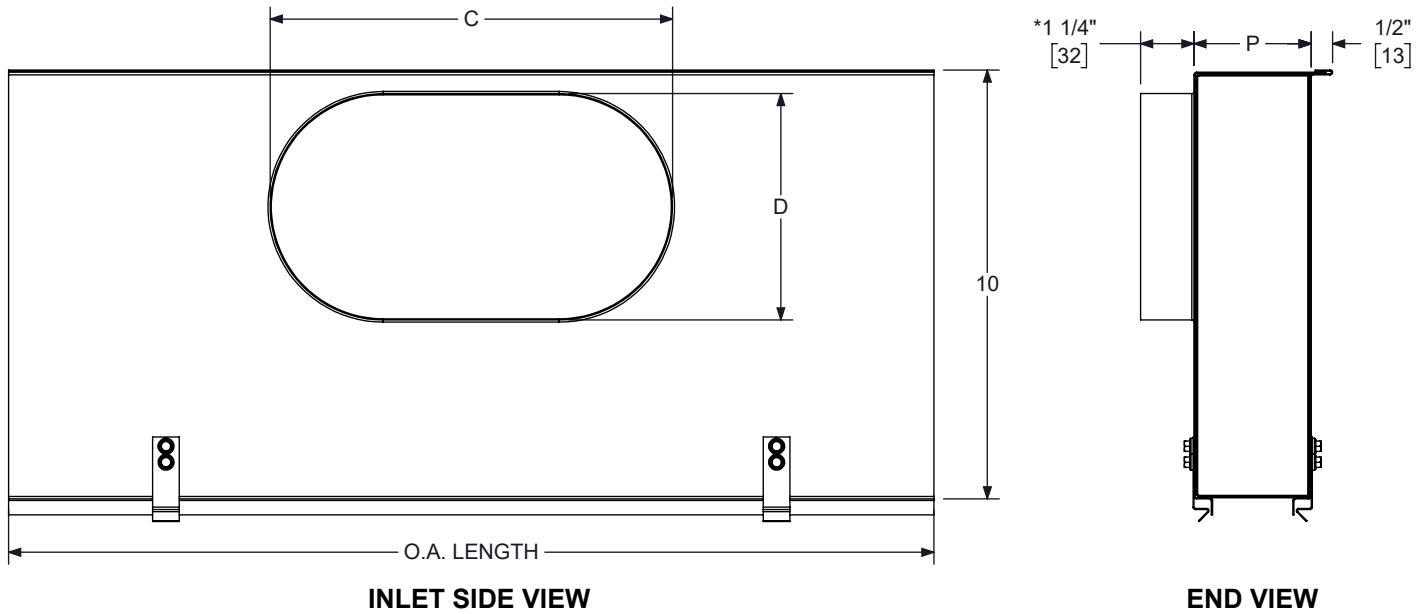


DESIGNFLO™ / DFP TYPE S

DESIGNFLO PLENUM BOOT WITH MOUNTING CLIPS

SUBMITTAL SHEET

DFP MODELS :

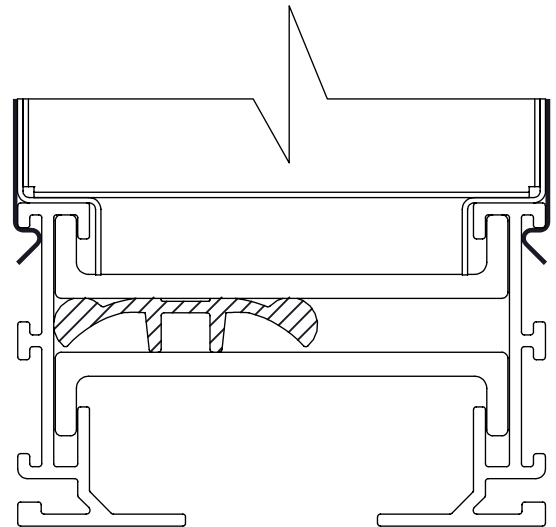
- DFP PLENUM BOOT, TYPE S

DFL NOTES:

- PLENUM IS MILL FINISH GALVANIZED STEEL
- DFP AND DFL MUST BE INSTALLED BEFORE THE HARD CEILING, SEE THE DFL INSTALLATION GUIDE LOCATED ON THE KRUEGER WEBSITE.

ACCESSORY OPTIONS:

- 1/4" [6], 2LB DENSITY FIBERGLASS INSULATION, ENDCAPS ARE NOT INSULATED
- 1/4" [6], CLOSED CELL FIBER FREE INSULATION, ENDCAPS ARE NOT INSULATED
- *QUADRANT DAMPER - ADDS 6" [152] TO INLET DEPTH. SEE FORM GC0114


MOUNTING CLIP ATTACHMENT
 DESIGNFLO FRAME AA SHOWN

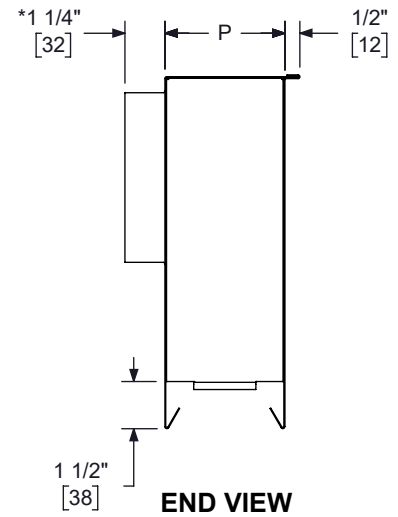
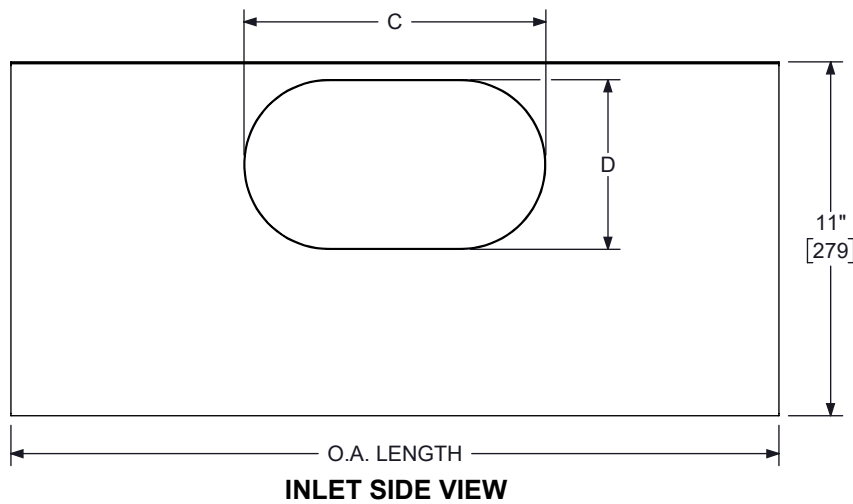
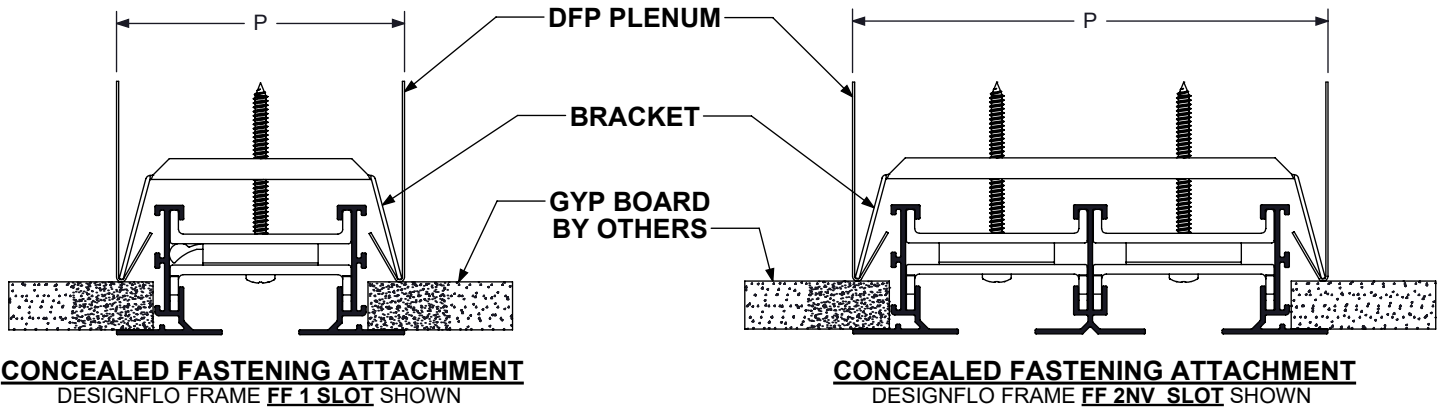
MODEL	NOMINAL LENGTH	O.A. LENGTH	ONE SLOT	2NV	2AB
			PLENUM WIDTH P	PLENUM WIDTH P	PLENUM WIDTH P
<input type="checkbox"/> DFP 10	24 [610]	21 3/4 [552]	2 3/4 [70]	5 1/4 [133]	6 1/16 [154]
<input type="checkbox"/> DFP 15	36 [914]	33 3/4 [857]	3 3/4 [95]	7 1/4 [184]	8 1/16 [205]
<input type="checkbox"/> DFP 20	48 [1219]	45 3/4 [1162]	4 3/4 [121]	9 1/4 [235]	10 1/16 [256]
<input type="checkbox"/> DFP 25	60 [1524]	57 3/4 [1467]	5 3/4 [146]	11 1/4 [286]	12 1/16 [306]
<input type="checkbox"/> DFP 30	72 [1829]	69 3/4 [1772]	6 3/4 [171]	13 1/4 [337]	14 1/16 [357]

INLET SIZE	C	D
<input type="checkbox"/> 6" OVAL	6 1/4 [159]	5 1/4 [133]
<input type="checkbox"/> 8" OVAL	9 3/8 [238]	5 1/4 [133]
<input type="checkbox"/> 10" OVAL	12 1/2 [318]	5 1/4 [133]
<input type="checkbox"/> 12" OVAL	14 1/8 [359]	7 7/8 [200]

 DIMENSIONS ARE GIVEN
 IN INCHES [MM]

DESIGNFLO™ / DFP TYPE F

DESIGNFLO PLENUM BOOT WITH CONCEALED FASTENING

SUBMITTAL SHEET

DFP MODELS :

- DFP PLENUM BOOT, TYPE F

ACCESSORY OPTIONS:

- 1/4" [6], 2LB DENSITY FIBERGLASS INSULATION, ENDCAPS ARE NOT INSULATED
- 1/4" [6], CLOSED CELL FIBER FREE INSULATION, ENDCAPS ARE NOT INSULATED
- *QUADRANT DAMPER - ADDS 6" [152] TO INLET DEPTH. SEE FORM GC0114

DIMENSIONS ARE GIVEN AS INCHES [MM]

MODEL	NOMINAL LENGTH	O.A. LENGTH	ONE SLOT	2NV	2AB
			PLENUM WIDTH P	PLENUM WIDTH P	PLENUM WIDTH P
<input type="checkbox"/> DFP 10	24 [610]	24 [610]	3 3/4 [95]	6 3/16 [157]	7 1/16 [180]
<input type="checkbox"/> DFP 15	36 [914]	36 [914]	4 3/4 [121]	8 3/16 [208]	9 1/16 [230]
<input type="checkbox"/> DFP 20	48 [1219]	48 [1219]	5 3/4 [146]	10 3/16 [258]	11 1/16 [281]
<input type="checkbox"/> DFP 25	60 [1524]	60 [1524]	6 3/4 [171]	12 3/16 [310]	13 1/16 [332]
<input type="checkbox"/> DFP 30	72 [1829]	72 [1829]	7 3/4 [197]	14 3/16 [360]	15 1/16 [383]

INLET SIZE	C	D
<input type="checkbox"/> 6 " OVAL	6 1/4 [159]	5 1/4 [133]
<input type="checkbox"/> 8 " OVAL	9 3/8 [238]	5 1/4 [133]
<input type="checkbox"/> 10 " OVAL	12 1/2 [318]	5 1/4 [133]
<input type="checkbox"/> 12 " OVAL	14 1/8 [359]	7 7/8 [200]