

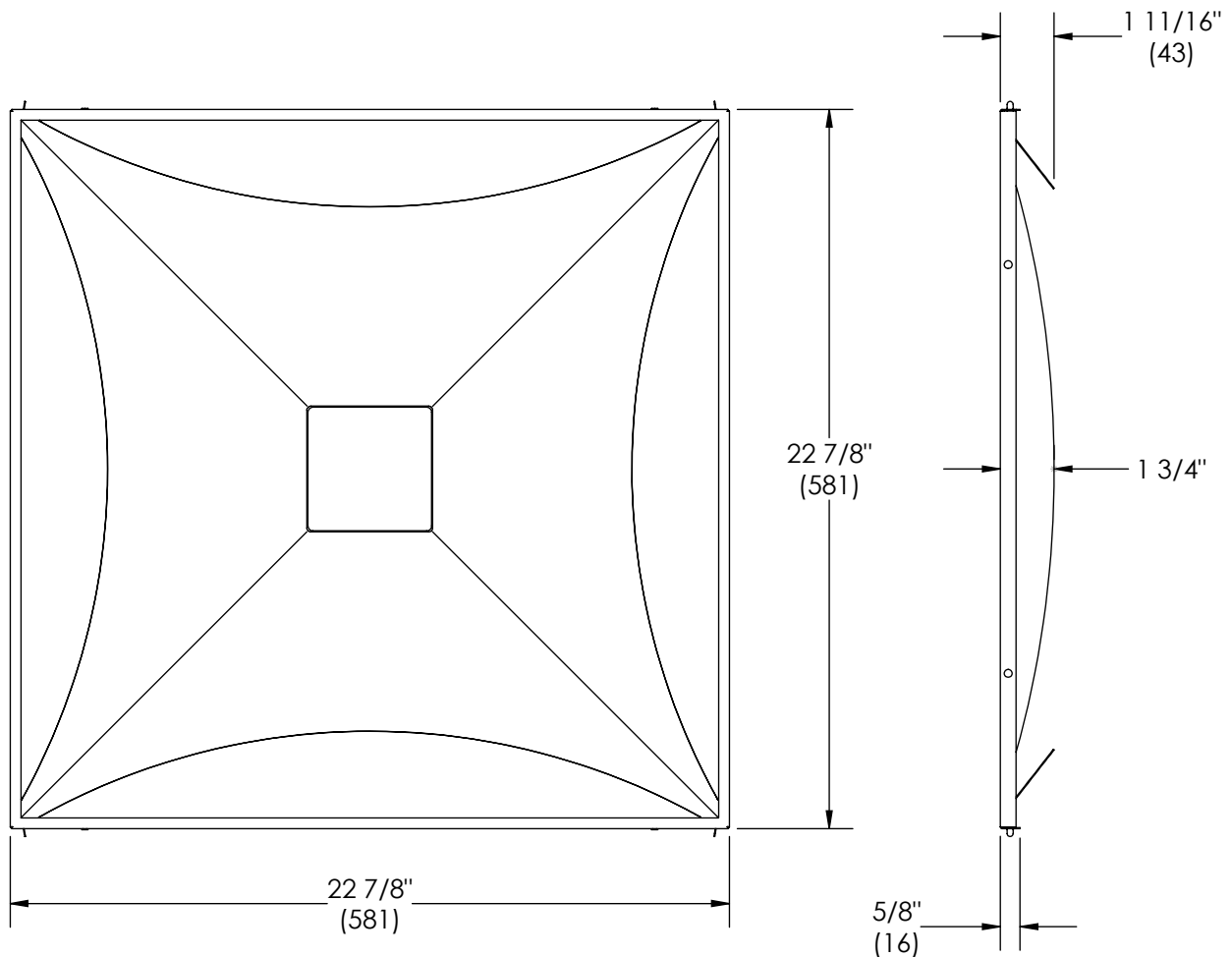
JOB NAME _____
ARCHITECT _____
ENGINEER _____
CONTRACTOR _____
LOCATION _____

SUBMITTAL SHEET
Form Number GC0304 Effective Date 11/12
REPLACES NEW FORM



Prism Face

ARCHITECTURAL INTERCHANGABLE FACE FOR PERFORATED DIFFUSERS



NOTES:

1. ALL STEEL CONSTRUCTION
2. STANDARD FINISH: #44 WHITE
3. ALL DIMENSIONS IN INCHES & (mm)
4. RECOMMENDED BACKPAN HEIGHT FOR RETROFIT IS 2 3/16"

OPTIONS:

- COLOR APPLIQUE
- CUSTOM LOGO
- OTHER COLORS