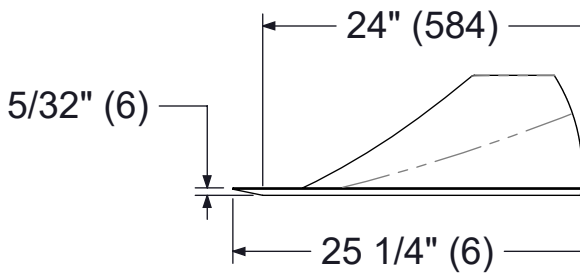
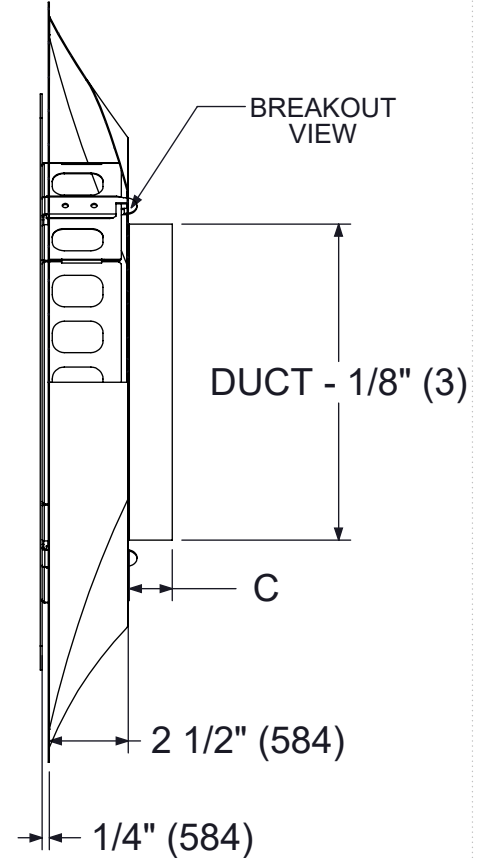
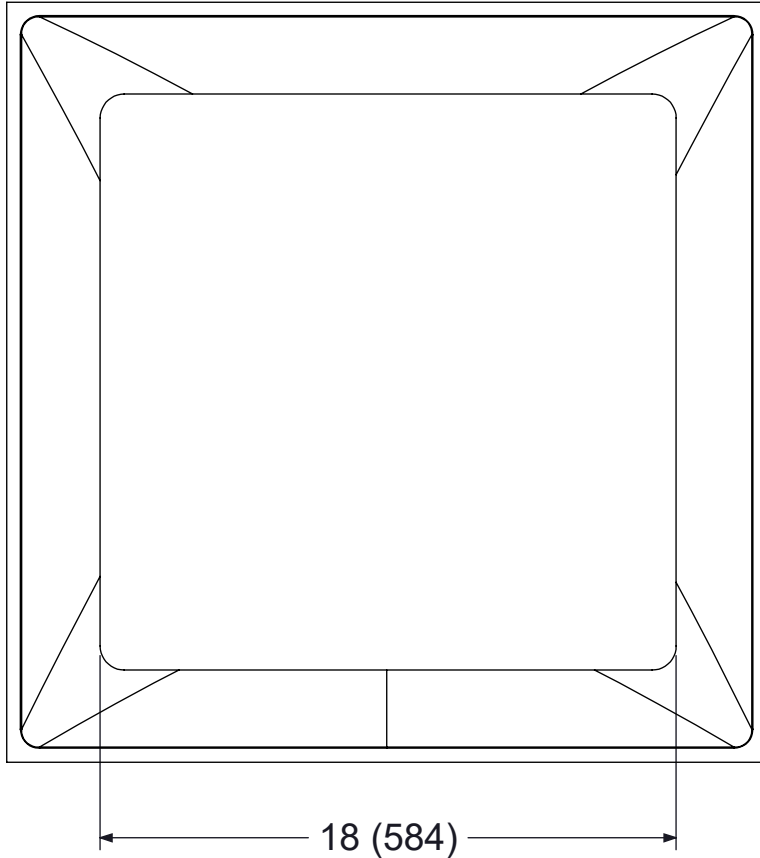


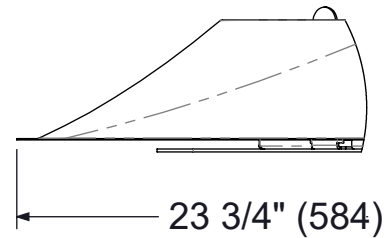
5PLQIMP

24 x 24 PANEL, ROUND NECK, ALUMINUM

SUBMITTAL SHEET



FRAME 22
SURFACE MOUNT



FRAME 23
STANDARD TEE

NOTES:

1. CONSTRUCTION IS .04" THICK ALUMINUM
2. STANDARD FINISH IS #44 WHITE
3. WHEN USING FLEX DUCT WITH HARD CEILING PLEASE ORDER F23 WITH CORRESPONDING (5)HCF23 PLASTER FRAME

		NOMINAL DUCT SIZES				
		6	8	10	12	14
		(152)	(203)	(254)	(305)	(356)
C		1 1/8" (29)	1 1/4" (32)	1 3/8" (35)	1 3/8" (35)	1 3/8" (35)