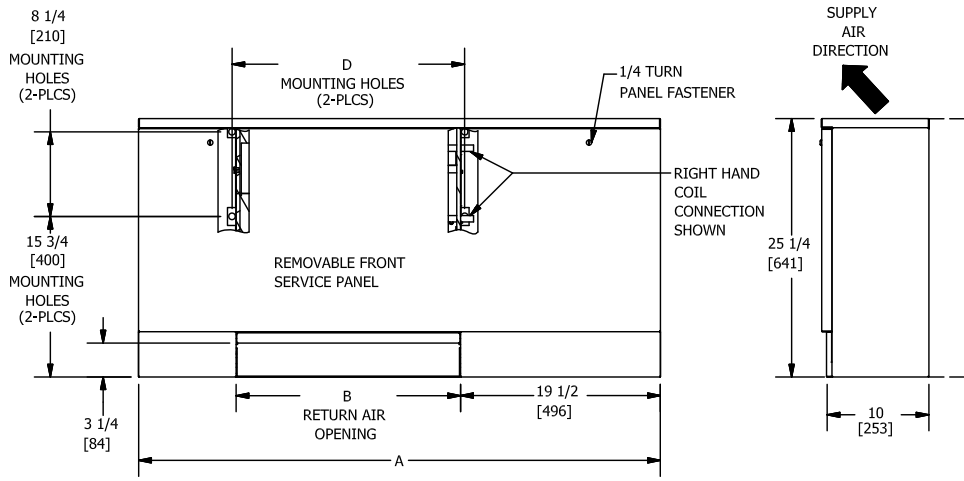
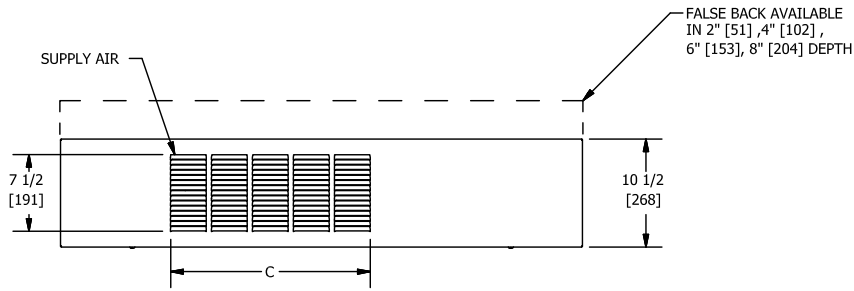


**KVFF- VERTICAL FAN COIL**  
 VERTICAL FAN COIL, FALSE BACK, EXTENDED

**SUBMITTAL SHEET**



UNIT MODEL	A	B	C	D
2	50 [1270]	22 [559]	19-1/2 [495]	22-3/4 [578]
3	54 [1371]	26 [660]	23-1/2 [597]	26-3/4 [679]
4	60 [1524]	32 [813]	27-1/2 [699]	32-3/4 [832]
6	70 [1778]	42 [1067]	39-1/2 [1003]	42-3/4 [1086]
8	72 [1829]	44 [1118]	39-1/2 [1003]	44-3/4 [1137]
10	86 [2184]	58 [1473]	55-1/2 [1410]	58-3/4 [1492]
12	94 [2388]	66 [1676]	63-1/2 [1613]	66-3/4 [1695]

- NOTES:
1. ALL DIMENSIONS ARE INCHES [MILLIMETERS]. ALL DIMENSIONS ARE +/-1/4" [6MM]. METRIC VALUES ARE SOFT CONVERSION
  2. JUNCTION BOX SIZE AND LOCATION VARIES WITH UNIT FEATURES. CONTROL OPTIONS MAY BE LIMITED.
  3. PROVIDE SUFFICIENT CLEARANCE TO ACCESS ELECTRICAL CONTROLS AND COMPLY WITH APPLICABLE CODES AND ORDINANCES
  4. STANDARD CABINET FINISH IS "PEARL WHITE SATIN"
  5. RIGHT HAND EXTENDED END POCKET SHOWN. LEFT HAND UNIT SIMILAR, BUT OPPOSITE
  6. FALSE BACKS SHIP LOOSE FOR FIELD INSTALLATION

Revision Date: 04/15	Form: FCS03-KVFF05	Replaces: NEW
----------------------	--------------------	---------------