

## MODELS

- PLQ - Steel, architectural ceiling diffuser with square plaque
- 5PLQ - Aluminum, architectural ceiling diffuser with square plaque

## FEATURES

- 360° radial discharge air pattern
- Square faceplate, removable for easy access to duct and damper
- Reduced pressure drops
- Quiet sound profile

## INLET SIZES

- Round: 6", 8", (7")<sup>1</sup>, (10", 12", 14", 15")<sup>2</sup>

## FRAME STYLES

- F22 - Surface mount
- F23 - Lay-in T-bar
- F24 - Snap-in T-bar
- F98 - Narrow-T<sup>2</sup>

## PANEL SIZES

- 12"x12"
- 20"x20" (available for PLQ only)
- 24"x24"

## COMPATIBLE OPTIONS AND ACCESSORIES

- R6 - Rigid R-6 fiberglass backing
- PR10 - Steel, radial opposed blade damper
- PRN100 - Steel, radial fan damper
- RP12 - Steel, butterfly bladed damper
- PRD10 - Steel, radial opposed blade damper (duct mount)
- PRD100 - Steel, radial fan damper (duct mount)
- PR12 - Steel, butterfly bladed damper (duct mount)
- RSG15 - Steel, round straightening grid (duct mount)
- PRSG15 - Steel, round straightening grid
- OBDDM - Steel, square or rectangular damper (duct mount)
- EX8 - Steel duct extractor with 1" blade spacing (duct mount)
- EX88 - Steel duct extractor with 2" blade spacing (duct mount)
- HCF23 - Steel, hard ceiling frame (F23 only)
- 5HCF23 - Aluminum, hard ceiling frame (F23 only)
- DBT - Steel, directional blow tab
- 5DBT - Aluminum, directional blow tab

### NOTES:

- <sup>1</sup> Available with 12"x12" panel only.
- <sup>2</sup> Available with 24"x24" panel only.



Some options and accessories are a part of the product configuration; others may be ordered separately. See website or selection software to check compatibility.

Scan the QR code to quickly navigate to product information on mobile and tablet devices.

Use the web search term(s) to locate product information on the Krueger website.

**WEB SEARCH: PLQ or 5PLQ**

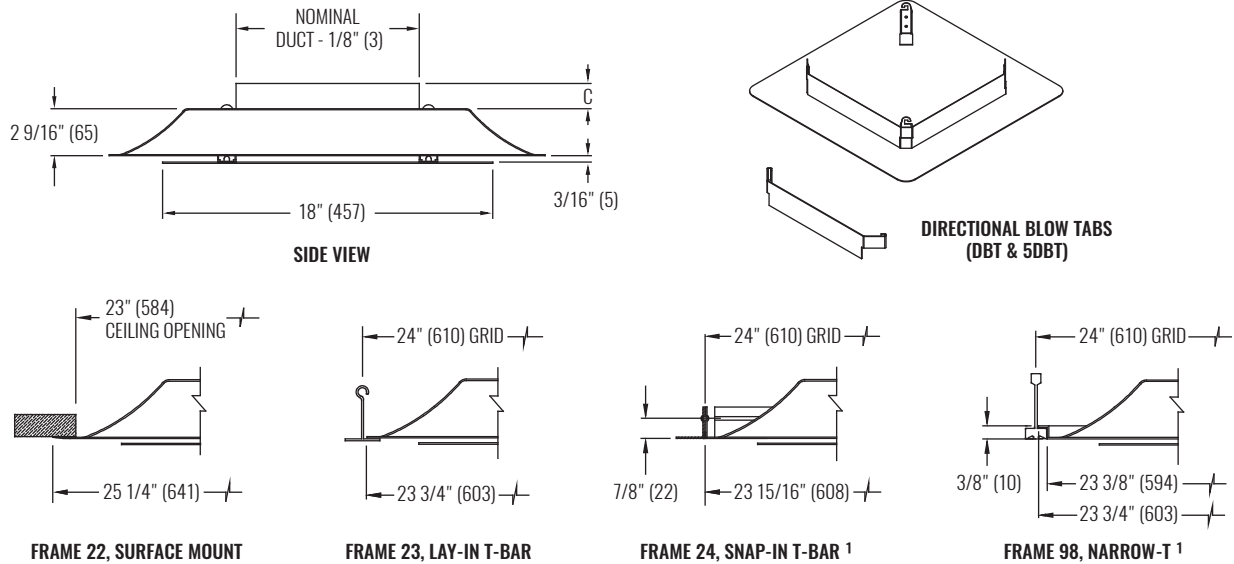


# PLQ / 5PLQ

Square Plaques Face Diffuser



## DIMENSIONAL DATA



NOTES: Dimensions in parentheses are millimeters (mm). Illustrations shown are for 24"x24" panel. See table below for dimensional references.  
<sup>1</sup> Applies to PLQ only.

## PERFORMANCE, DESIGN, AND DIMENSIONAL DATA

SIZE		PERFORMANCE - HORIZONTAL THROW				DESIGN			DIMENSIONS
PANEL	NOMINAL INLET	NC (< 25)		NC (25 - 40)		CFM @ NC-30	SPACING @ 0.6 CFM/sf (ft)	MINIMUM CFM/sf	C
		CFM	THROW (ft)	CFM	THROW (ft)				
12"x12"	6"	39 - 177	3 - 12	196 - 300	13 - 17	215	19	0.18	1 1/8" (29)
	7"	53 - 241	3 - 14	267 - 400	15 - 19	285	22	0.19	1 1/8" (29)
	8"	70 - 314	3 - 16	349 - 520	17 - 22	375	25	0.20	1 1/4" (32)
24"x24"	6"	39 - 210	1 - 9	225 - 320	10 - 12	250	20	0.22	1 1/8" (29)
	8"	70 - 340	3 - 13	360 - 515	13 - 16	395	26	0.25	1 1/4" (32)
	10"	109 - 491	4 - 15	510 - 735	16 - 19	570	31	0.26	1 3/8" (35)
	12"	157 - 628	5 - 17	655 - 950	18 - 21	740	35	0.27	1 3/8" (35)
	14"	214 - 840	7 - 20	880 - 1270	20 - 25	980	40	0.28	1 3/8" (35)
	15"	245 - 925	7 - 21	982 - 1400	22 - 26	1100	43	0.29	1 3/8" (35)

NOTES: Information shown is abbreviated. See website for complete information. Dimensions in parentheses are millimeters (mm). Throw value ranges are given for isothermal conditions, unless otherwise noted, and a terminal velocity of 50 FPM (0.25 m/s). NC ranges are based on octave band 2 - 7 sound power levels minus a room absorption of 10dB, re 10<sup>-12</sup> Watts. Data was obtained from tests conducted in accordance with ANSI/ASHRAE Standard 70, ISO Standard 5219, and ISO Standard 3741. Design spacing is recommended distance between diffusers in an open plan office based on ADPI > 80%, 9ft ceiling, and 55°F discharge at 30 NC and 0.6 CFM/sf. Minimum CFM/sf is based on recommended spacing at 80% ADPI. Design recommendations not applicable to vertical throw. "N/A" in design table denotes situations which do not result in ADPI>80% and are therefore not recommended.

Table data has been consolidated. Performance data is range-based. Design data provides recommendations on diffuser spacing in open plan environments based on 80% ADPI; see supplemental pages (located in the back) to understand the basis on which these values were developed. See website for complete product information.