

MODEL

- 1400FR - Steel, fire rated, louvered ceiling diffuser

FEATURES

- 1400FR comes standard as a UL 263 classified assembly which incorporates a 3-hour rated fire damper and a 1/2" thick ceramic fiber blanket
- 4 cones for optimum airflow control
- Cones feature a 1-piece stamped construction without mitered joints
- Great choice for variable air volume spaces
- Round inlet for easy connection to round duct
- Anti-smudge design prevents smeared ceilings
- Two earthquake tabs are standard

INLET SIZES

- Round: 6" - 14" (2" increments), 15"

FRAME STYLES

- F23 - Lay-in T-bar

PANEL SIZE

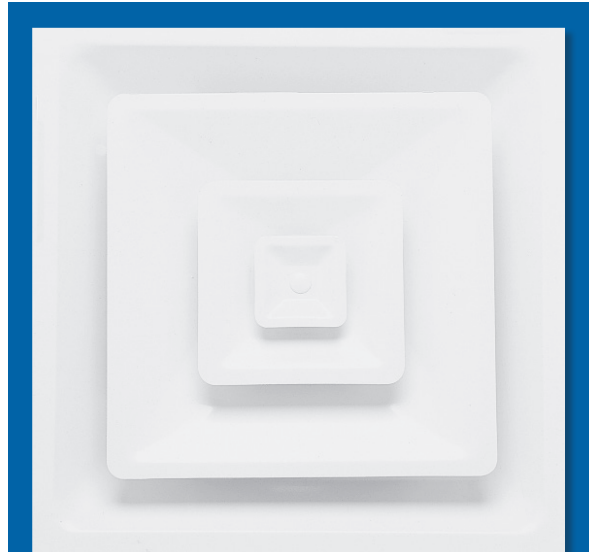
- 24"x24"

COMPATIBLE OPTIONS AND ACCESSORIES ¹

- OBDDM - Steel, square or rectangular damper (duct mount)
- EX8 - Steel duct extractor with 1" blade spacing (duct mount)
- EX88 - Steel duct extractor with 2" blade spacing (duct mount)
- HCF23 - Steel, hard ceiling frame (F23 only)

NOTE:

- ¹ Check allowance of options and accessories with local fire codes.

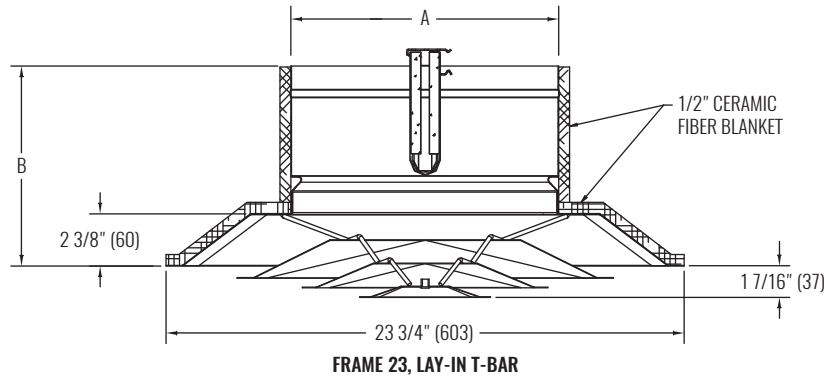


1400FR

Louvered Face Diffuser, 4 Cones, Fire Rated



DIMENSIONAL DATA



FRAME 23, LAY-IN T-BAR

NOTES: Dimensions in parentheses are millimeters (mm). See table below for dimensional references.

PERFORMANCE, DESIGN, AND DIMENSIONAL DATA

SIZE		PERFORMANCE - HORIZONTAL THROW				DESIGN			DIMENSIONS	
PANEL	NOMINAL INLET	NC (< 25)		NC (25 - 40)		CFM @ NC=30	SPACING @ 0.6 CFM/sf (ft)	MINIMUM CFM/sf	ACTUAL INLET	DEPTH
		CFM	THROW (ft)	CFM	THROW (ft)				A ¹	B
24"x24"	6"	79 - 230	7 - 12	245 - 393	13 - 16	275	20	0.20	5 7/8" (149)	10 1/16" (256)
	8"	70 - 320	5 - 15	349 - 525	15 - 19	380	25	0.22	7 7/8" (200)	9 15/16" (252)
	10"	109 - 410	6 - 17	436 - 675	17 - 21	490	28	0.24	9 7/8" (251)	10 7/16" (256)
	12"	157 - 490	7 - 18	525 - 800	19 - 23	600	30	0.28	11 7/8" (302)	12 7/16" (316)
	14"	214 - 600	9 - 20	641 - 990	21 - 26	700	32	0.30	13 7/8" (352)	12 7/16" (316)
	15"	245 - 650	9 - 21	680 - 1060	21 - 27	800	34	0.30	14 7/8" (378)	15 7/16" (392)

NOTES: Information shown is abbreviated. See website for complete information. Dimensions in parentheses are millimeters (mm). Throw value ranges are given for isothermal conditions, unless otherwise noted, and a terminal velocity of 50 FPM (0.25 m/s). NC ranges are based on octave band 2 - 7 sound power levels minus a room absorption of 10dB, re 10⁻¹² Watts. Data was obtained from tests conducted in accordance with ANSI/ASHRAE Standard 70, ISO Standard 5219, and ISO Standard 3741. Design spacing is recommended distance between diffusers in an open plan office based on ADPI > 80%, 9ft ceiling, and 55°F discharge at 30 NC and 0.6 CFM/sf. Minimum CFM/sf is based on recommended spacing at 80% ADPI. Design recommendations not applicable to vertical throw. "N/A" in design table denotes situations which do not result in ADPI>80% and are therefore not recommended.

¹ Dimensions exclude insulation.