

**MODEL**

- 6200FR - Steel, fire rated, perforated ceiling diffuser with square inlet

**FEATURES**

- UL 263 classified assembly which incorporates a 3-hour rated fire damper and a 1/2" thick ceramic fiber blanket
- Individually adjustable curved blade pattern deflectors for horizontal to vertical throw
- Variety of air discharge patterns available
- Removable perforated face and core for easy cleaning

**INLET SIZES**

- Square: 6"x6" - 14"x14" (2" increments)

**FRAME STYLES**

- F23 - Lay-in T-bar

**PANEL SIZES**

- 24"x24"

**COMPATIBLE OPTIONS AND ACCESSORIES <sup>1</sup>**

- OBDDM - Steel, square or rectangular damper (duct mount)
- EX8 - Steel duct extractor with 1" blade spacing (duct mount)
- EX88 - Steel duct extractor with 2" blade spacing (duct mount)
- HCF23 - Steel, hard ceiling frame

**NOTE:**

<sup>1</sup> Check allowance of options and accessories with local fire codes.

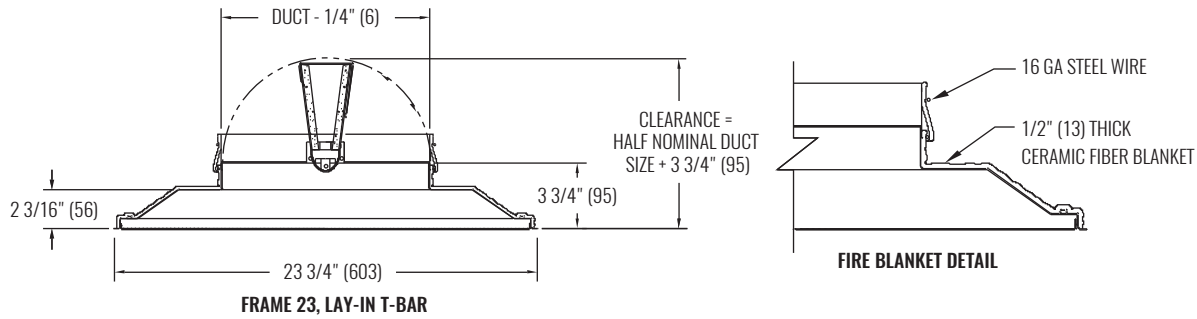


# 6200FR

Perforated Face Diffuser, Curved Blade Pattern Deflectors, Fire Rated



## DIMENSIONAL DATA



NOTES: Dimensions in parentheses are millimeters (mm). Illustrations shown are for 24"x24" panel size.

## PERFORMANCE AND DESIGN DATA

SIZE		PERFORMANCE - HORIZONTAL THROW				DESIGN		
PANEL	NOMINAL INLET	NC (< 25)		NC (25 - 40)		CFM @ NC=30	SPACING @ 0.6 CFM/sf (ft)	MINIMUM CFM/sf
		CFM	THROW (ft)	CFM	THROW (ft)			
24"x24"	6"x6"	75 - 150	6 - 11	175 - 275	11 - 14	210	19	0.38
	8"x8"	133 - 267	8 - 14	289 - 489	15 - 19	360	24	0.40
	10"x10"	208 - 394	10 - 17	417 - 764	18 - 24	500	29	0.40
	12"x12"	300 - 550	12 - 20	600 - 1100	21 - 29	750	35	0.40
	14"x14"	408 - 681	14 - 23	817 - 1361	25 - 32	950	40	0.40

NOTES: Information shown is abbreviated. See website for complete information. Dimensions in parentheses are millimeters (mm). Throw value ranges are given for isothermal conditions, unless otherwise noted, and a terminal velocity of 50 FPM (0.25 m/s). NC ranges are based on octave band 2 - 7 sound power levels minus a room absorption of 10dB, re 10<sup>-12</sup> Watts. Data was obtained from tests conducted in accordance with ANSI/ASHRAE Standard 70, ISO Standard 5219, and ISO Standard 3741. Design spacing is recommended distance between diffusers in an open plan office based on ADPI > 80%, 9ft ceiling, and 55°F discharge at 30 NC and 0.6 CFM/sf. Minimum CFM/sf is based on recommended spacing at 80% ADPI. Design recommendations not applicable to vertical throw. "N/A" in design table denotes situations which do not result in ADPI>80% and are therefore not recommended.