

MODELS

- 6400 - Steel, perforated ceiling diffuser with square inlet
- 56400 - Aluminum, perforated ceiling diffuser with square inlet (steel backpan)

FEATURES

- Field adjustable 1, 2, 3, or 4-way blow patterns
- Great choice for installations with changing air pattern requirements
- Removable perforated face for easy cleaning

INLET SIZES

- 6"x6" (available for all panel sizes)
- 8"x8" (not available in 12"x12" or 24"x12" panel sizes)
- 10"x10" (only available in 20"x20", 24"x24", or 48"x24" panel sizes)
- 12"x12" (only available in 24"x24" or 48"x24" panel sizes)
- 15"x15" (only available in 24"x24" panel sizes)
- 18"x18" (only available in 24"x24" panel sizes)

FRAME STYLES

- F20 - Surface mount
- F23 - Lay-in T-bar
- F30 - Drop face
- F98 - Narrow-T²

PANEL SIZES

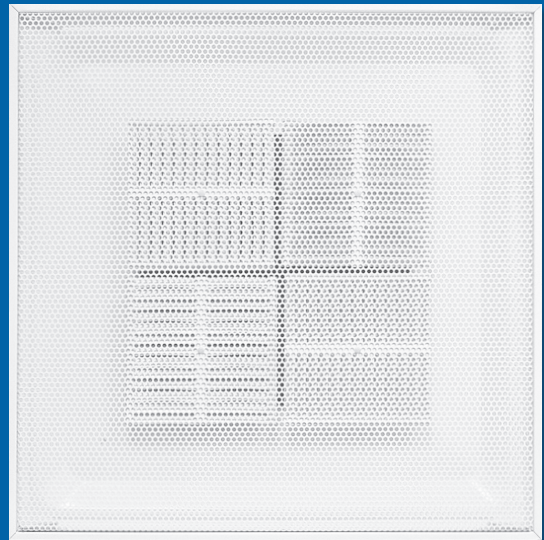
- 12"x12"
- 16"x16"¹
- 20"x20"¹
- 24"x12"
- 24"x24"
- 48"x24"

COMPATIBLE OPTIONS AND ACCESSORIES

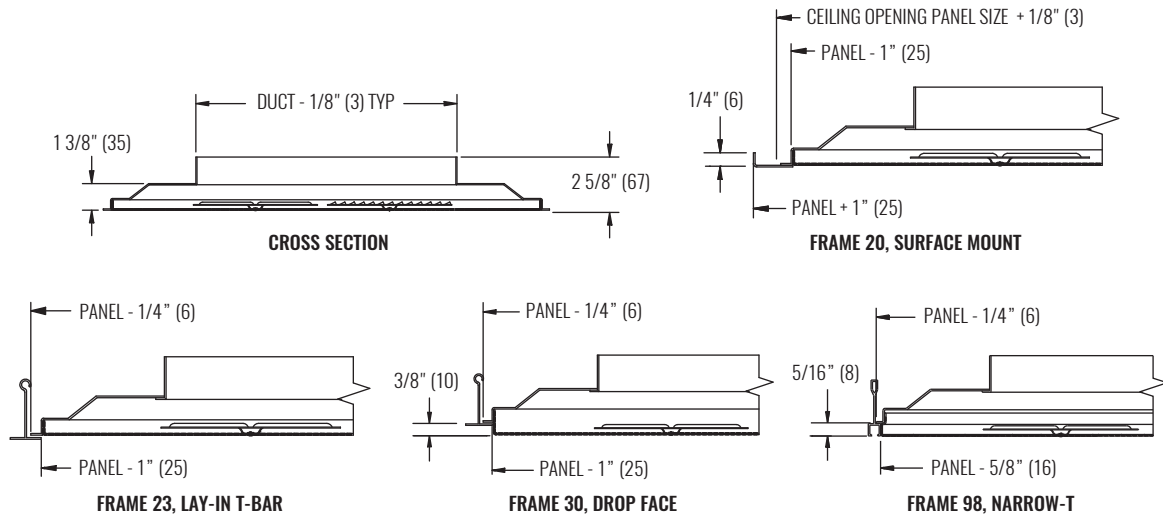
- Optional insulated backpan
- OBDFA - Steel, square or rectangular face operated damper
- 5OBDFA - Aluminum, square or rectangular face operated damper
- OBDDM - Steel, square or rectangular damper (duct mount)
- EX8 - Steel duct extractor with 1" blade spacing (duct mount)
- EX88 - Steel duct extractor with 2" blade spacing (duct mount)
- HCF23 - Steel, hard ceiling frame (F23 only)
- 5HCF23 - Aluminum, hard ceiling frame (F23 only)

NOTES:

- ¹ Model 56400 not available in 16"x16" and 20"x20" panel sizes.
- ² F98 only available with 24"x24" panel.



DIMENSIONAL DATA



NOTES: Dimensions in parentheses are millimeters (mm). Illustrations shown are for 24"x24" panel size.

PERFORMANCE AND DESIGN DATA

SIZE		PERFORMANCE - HORIZONTAL THROW				DESIGN		
PANEL	NOMINAL INLET	NC (< 25)		NC (25 - 40)		CFM @ NC=30	SPACING @ 0.6 CFM/sf (ft)	MINIMUM CFM/sf
		CFM	THROW (ft)	CFM	THROW (ft)			
12"x12"	6"x6"	75 - 175	4 - 9	200 - 275	10 - 13	220	19	0.50
24"x24"	6"x6"	75 - 175	4 - 9	200 - 275	10 - 13	220	19	0.50
	8"x8"	89 - 222	3 - 9	267 - 400	10 - 16	320	23	0.55
	10"x10"	139 - 347	4 - 11	380 - 556	12 - 17	425	27	0.58
	12"x12"	200 - 450	5 - 12	500 - 750	13 - 20	550	30	0.60
	15"x15"	313 - 610	7 - 13	625 - 1016	13 - 21	750	35	N/A
	18"x18"	450 - 788	8 - 14	840 - 1238	15 - 21	1000	41	N/A

NOTES: Information shown is abbreviated. See website for complete information. Dimensions in parentheses are millimeters (mm). Throw value ranges are given for isothermal conditions, unless otherwise noted, and a terminal velocity of 50 FPM (0.25 m/s). NC ranges are based on octave band 2 - 7 sound power levels minus a room absorption of 10dB, re 10⁻¹² Watts. Data was obtained from tests conducted in accordance with ANSI/ASHRAE Standard 70, ISO Standard 5219, and ISO Standard 3741. Design spacing is recommended distance between diffusers in an open plan office based on ADPI > 80%, 9ft ceiling, and 55°F discharge at 30 NC and 0.6 CFM/sf. Minimum CFM/sf is based on recommended spacing at 80% ADPI. Design recommendations not applicable to vertical throw. "N/A" in design table denotes situations which do not result in ADPI>80% and are therefore not recommended.