

MODELS

- 6400FR - Steel, fire rated, perforated ceiling diffuser with square inlet

FEATURES

- UL 263 classified assembly which incorporates a 3-hour rated fire damper and a 1/2" thick ceramic fiber blanket
- Field adjustable 1, 2, 3, or 4-way blow patterns
- Great choice for installations with changing air pattern requirements
- Removable perforated face for easy cleaning

INLET SIZES

- Square: 6"x6" - 14"x14" (2" increments)

FRAME STYLES

- F23 - Lay-in T-bar

PANEL SIZES

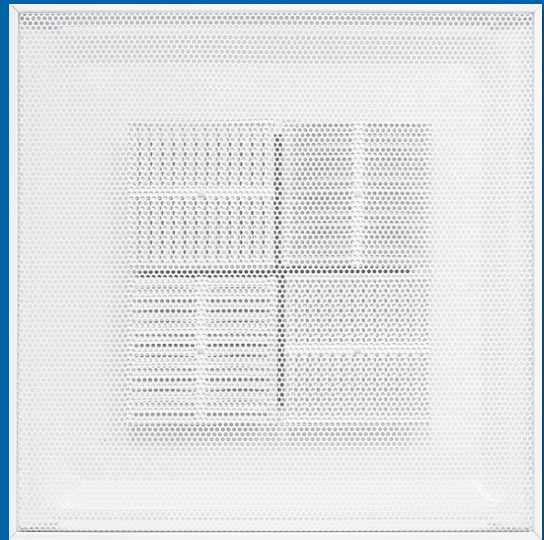
- 24"x24"

COMPATIBLE OPTIONS AND ACCESSORIES

- OBDDM - Steel, square or rectangular damper (duct mount)
- EX8 - Steel duct extractor with 1" blade spacing (duct mount)
- EX88 - Steel duct extractor with 2" blade spacing (duct mount)
- HCF23 - Steel, hard ceiling frame

NOTE:

- ¹ Check allowance of options and accessories with local fire codes.

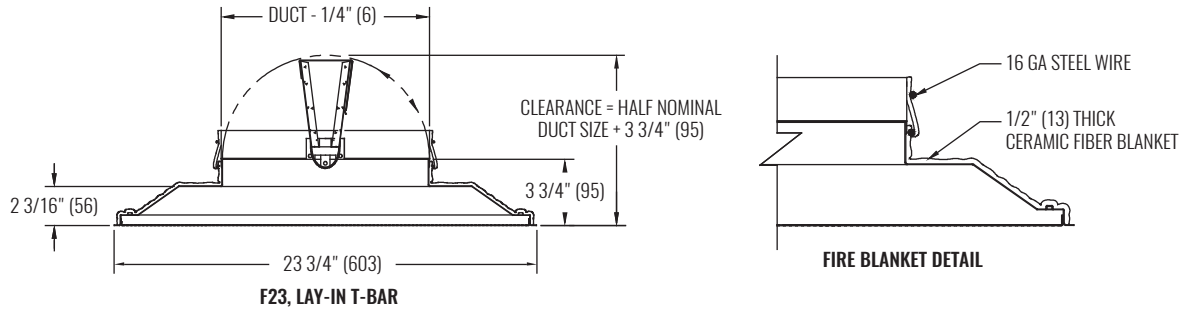


6400FR

Perforated Face Diffuser, Adjustable Pattern Deflectors, Fire Rated



DIMENSIONAL DATA



NOTES: Dimensions in parentheses are millimeters (mm). Illustrations shown are for 24"x24" panel size.

PERFORMANCE AND DESIGN DATA

SIZE		PERFORMANCE - HORIZONTAL THROW				DESIGN		
PANEL	NOMINAL INLET	NC (< 25)		NC (25 - 40)		CFM @ NC=30	SPACING @ 0.6 CFM/sf (ft)	MINIMUM CFM/sf
		CFM	THROW (ft)	CFM	THROW (ft)			
24"x24"	6"x6"	75 - 175	4 - 9	200 - 275	10 - 13	220	19	0.50
	8"x8"	89 - 222	3 - 9	267 - 400	10 - 16	320	23	0.55
	10"x10"	139 - 347	4 - 11	380 - 556	12 - 17	425	27	0.58
	12"x12"	200 - 450	5 - 12	500 - 750	13 - 20	550	30	0.60

NOTES: Information shown is abbreviated. See website for complete information. Dimensions in parentheses are millimeters (mm). Throw value ranges are given for isothermal conditions, unless otherwise noted, and a terminal velocity of 50 FPM (0.25 m/s). NC ranges are based on octave band 2 - 7 sound power levels minus a room absorption of 10dB, re 10⁻¹² Watts. Data was obtained from tests conducted in accordance with ANSI/ASHRAE Standard 70, ISO Standard 5219, and ISO Standard 3741. Design spacing is recommended distance between diffusers in an open plan office based on ADPI > 80%, 9ft ceiling, and 55°F discharge at 30 NC and 0.6 CFM/sf. Minimum CFM/sf is based on recommended spacing at 80% ADPI. Design recommendations not applicable to vertical throw. "N/A" in design table denotes situations which do not result in ADPI>80% and are therefore not recommended.